

WES-4000 WATERFREE URINAL NEW CONSTRUCTION INSTALLATION INSTRUCTIONS

BEFORE STARTING INSTALLATION:

IMPORTANT - Do not install on copper DWV due to copper's susceptibility to corrosion.

- Check rough-in height to achieve 24" rim height (17" rim height for ADA).
- Check slope. Downhill slope, per code, is essential because of waterfree urinals depend on gravity flow.
- Check DWV material. Suitable materials include cast iron, PVC, ABS, and galvanized steel.
- Shut off water supply and cap the nipple with the 3/4" chrome cap (provided).

TUBE CUTTING CHART

- Measure drain nipple depth (in) to find trim length (in)
- 13 7/8" or more **DO NOT CUT**
- 3 3/4" or less **DO NOT USE TUBE**

OR LESS	TRIM	OR LESS	TRIM	OR LESS	TRIM
13 3/4"	1/4"	10 1/4"	3 3/4"	6 3/4"	7 1/4"
13 1/2"	1/2"	10	4	6 1/2"	7 1/2"
13 1/4"	3/4"	9 3/4"	4 1/4"	6 1/4"	7 3/4"
13	1"	9 1/2"	4 1/2"	6	8
12 3/4"	1 1/4"	9 1/4"	4 3/4"	5 3/4"	8 1/4"
12 1/2"	1 1/2"	9	5	5 1/2"	8 1/2"
12 1/4"	1 3/4"	8 3/4"	5 1/4"	5 1/4"	8 3/4"
12	2"	8 1/2"	5 1/2"	5	9
11 3/4"	2 1/4"	8 1/4"	5 3/4"	4 3/4"	9 1/4"
11 1/2"	2 1/2"	8	6	4 1/2"	9 1/2"
11 1/4"	2 3/4"	7 3/4"	6 1/4"	4 1/4"	9 3/4"
11	3"	7 1/2"	6 1/2"	4	10
10 3/4"	3 1/4"	7 1/4"	6 3/4"		
10 1/2"	3 1/2"	7	7		

CUSTOMER SERVICE

1-888-SLOAN-14 (888-756-2614)
customer.service@sloanvalve.com



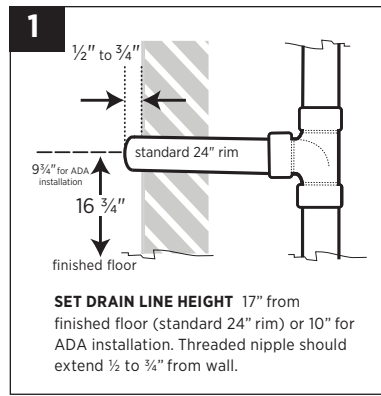
CAUTION After removing any urinal from the drain line, it's normal for certain naturally occurring but **potentially hazardous sewer gases** to escape through the opening until the waterless cartridge is installed properly into the waterless urinal. If you need to leave an open drain line unattended after removing the urinal from the wall, temporarily wedge paper towels or a rag into the drain hole to reduce any outflow of sewer gases, and remove the paper towels or rag prior to completing the urinal or cartridge installation. **Never smoke, have an open flame, or place your nose or mouth near open drain lines or waterless urinal housings into which a cartridge is not yet properly installed.** You also can wear a breathing mask when removing or installing any waterless urinal or cartridge to reduce potential exposure to any such gases.

sloanvalve.com

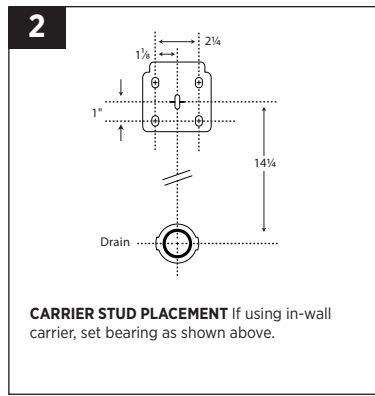
The information in this document is subject to change without notice.

©2014 Sloan Valve Company All rights reserved.

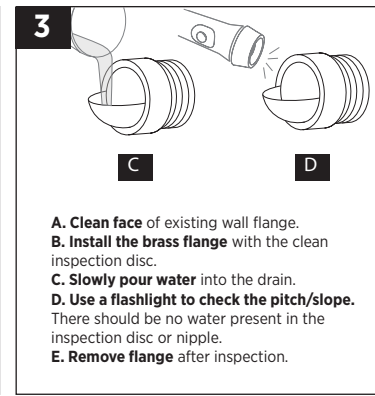
0816498 Rev. 3 (07-14)



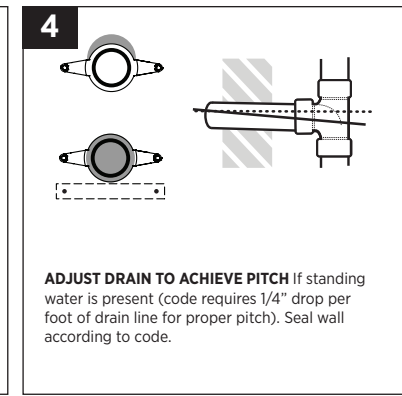
SET DRAIN LINE HEIGHT 17" from finished floor (standard 24" rim) or 10" for ADA installation. Threaded nipple should extend 1/2 to 3/4" from wall.



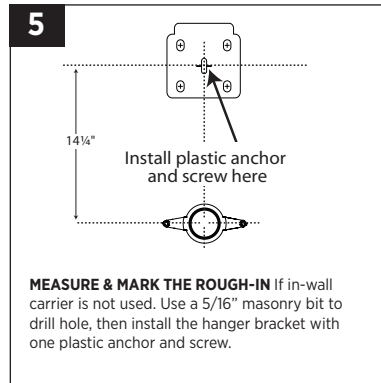
CARRIER STUD PLACEMENT If using in-wall carrier, set bearing as shown above.



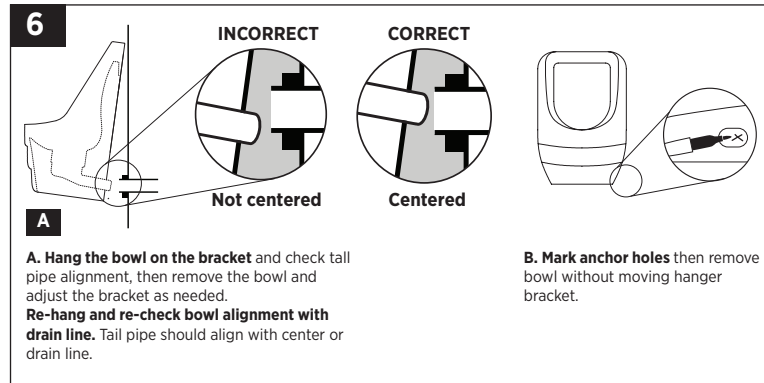
A. Clean face of existing wall flange.
B. Install the brass flange with the clean inspection disc.
C. Slowly pour water into the drain.
D. Use a flashlight to check the pitch/slope. There should be no water present in the inspection disc or nipple.
E. Remove flange after inspection.



ADJUST DRAIN TO ACHIEVE PITCH If standing water is present (code requires 1/4" drop per foot of drain line for proper pitch). Seal wall according to code.

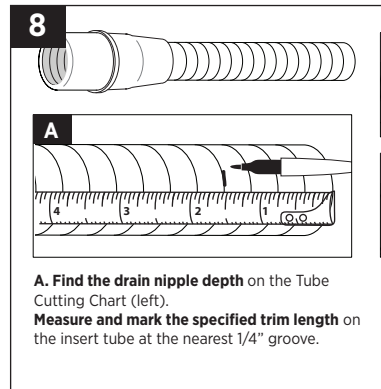


MEASURE & MARK THE ROUGH-IN If in-wall carrier is not used. Use a 5/16" masonry bit to drill hole, then install the hanger bracket with one plastic anchor and screw.

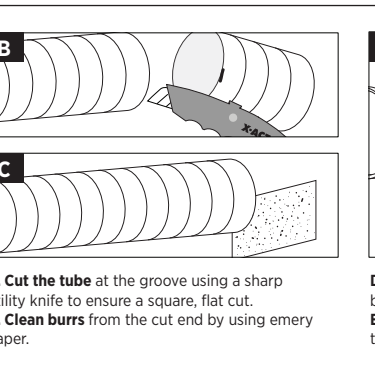


A. Hang the bowl on the bracket and check tail pipe alignment, then remove the bowl and adjust the bracket as needed.
Re-hang and re-check bowl alignment with drain line. Tail pipe should align with center or drain line.

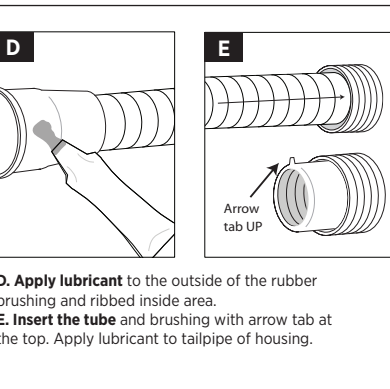
B. Mark anchor holes then remove bowl without moving hanger bracket.



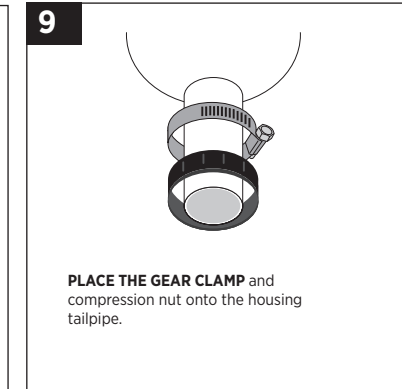
A. Find the drain nipple depth on the Tube Cutting Chart (left).
Measure and mark the specified trim length on the insert tube at the nearest 1/4" groove.



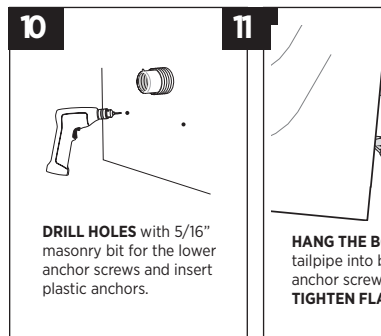
B. Cut the tube at the groove using a sharp utility knife to ensure a square, flat cut.
C. Clean burrs from the cut end by using emery paper.



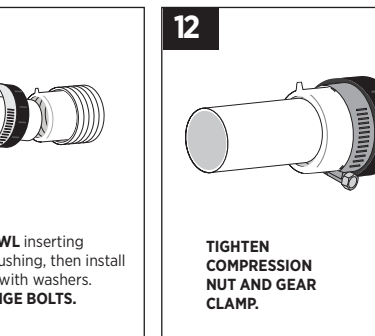
D. Apply lubricant to the outside of the rubber brushing and ribbed inside area.
E. Insert the tube and brushing with arrow tab at the top. Apply lubricant to tailpipe of housing.



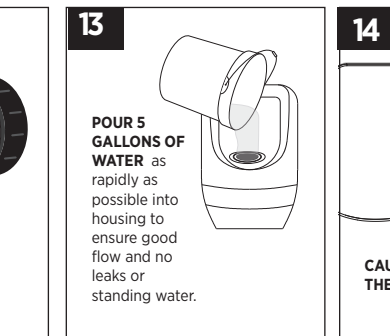
PLACE THE GEAR CLAMP and compression nut onto the housing tailpipe.



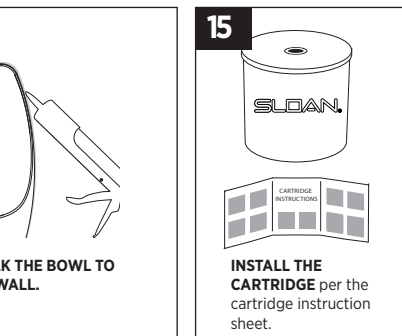
DRILL HOLES with 5/16" masonry bit for the lower anchor screws and insert plastic anchors.



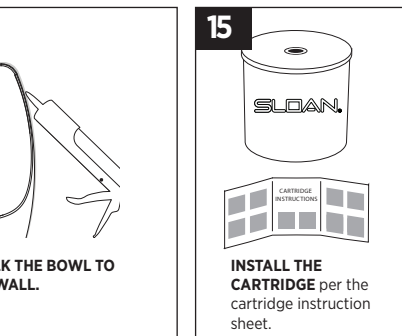
HANG THE BOWL inserting tailpipe into brushing, then install anchor screws with washers.
TIGHTEN FLANGE BOLTS.



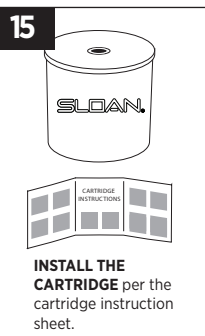
TIGHTEN COMPRESSION NUT AND GEAR CLAMP.



POUR 5 GALLONS OF WATER as rapidly as possible into housing to ensure good flow and no leaks or standing water.



CAULK THE BOWL TO THE WALL.



INSTALL THE CARTRIDGE per the cartridge instruction sheet.

WES-4000 WATERFREE URINAL RETRO-FIT INSTALLATION INSTRUCTIONS

BEFORE STARTING INSTALLATION:

IMPORTANT - Do not install on copper DWV due to copper's susceptibility to corrosion.

- Check rough-in height to achieve 24" rim height (17" rim height for ADA).
- Check slope. Downhill slope, per code, is essential because of waterfree urinals depend on gravity flow.
- Check DWV material. Suitable materials include cast iron, PVC, ABS, and galvanized steel.
- Shut off water supply and cap the nipple with the 3/4" chrome cap (provided).

TUBE CUTTING CHART

- Measure drain nipple depth (in) to find trim length (in)
- 13 7/8" or more **DO NOT CUT**
- 3 3/4" or less **DO NOT USE TUBE**

OR LESS	TRIM	OR LESS	TRIM	OR LESS	TRIM	OR LESS	TRIM
13 3/4"	1/4"	10 1/4"	3 3/4"	6 3/4"	7 1/4"	13 1/2"	1/2"
13 1/2"	1/2"	10	4"	6 1/2"	7 1/2"	13 1/4"	3/4"
13 1/4"	3/4"	9 3/4"	4 1/4"	6 1/4"	7 3/4"	13	1"
13	1"	9 1/2"	4 1/2"	6	8"	12 3/4"	1 1/4"
12 3/4"	1 1/4"	9 1/4"	4 3/4"	5 3/4"	8 1/4"	12 1/2"	1 1/2"
12 1/2"	1 1/2"	9	5"	5 1/2"	8 1/2"	12 1/4"	1 3/4"
12 1/4"	1 3/4"	8 3/4"	5 1/4"	5 1/4"	8 3/4"	12	2"
12	2"	8 1/2"	5 1/2"	5	9"	11 3/4"	2 1/4"
11 3/4"	2 1/4"	8 1/4"	5 3/4"	4 3/4"	9 1/4"	11 1/2"	2 1/2"
11 1/2"	2 1/2"	8	6"	4 1/2"	9 1/2"	11 1/4"	2 3/4"
11 1/4"	2 3/4"	7 3/4"	6 1/4"	4 1/4"	9 3/4"	11	3"
11	3"	7 1/2"	6 1/2"	4	10"	10 3/4"	3 1/4"
10 3/4"	3 1/4"	7 1/4"	6 3/4"			10 1/2"	3 1/2"
10 1/2"	3 1/2"	7	7"				

CUSTOMER SERVICE

1-888-SLOAN-14 (888-756-2614)
customer.service@sloanvalve.com



CAUTION After removing any urinal from the drain line, it's normal for certain naturally occurring but **potentially hazardous sewer gases** to escape through the opening until the waterless cartridge is installed properly into the waterless urinal. If you need to leave an open drain line unattended after removing the urinal from the wall, temporarily wedge paper towels or a rag into the drain hole to reduce any outflow of sewer gases, and remove the paper towels or rag prior to completing the urinal or cartridge installation. **Never smoke, have an open flame, or place your nose or mouth near open drain lines or waterless urinal housings into which a cartridge is not yet properly installed.** You also can wear a breathing mask when removing or installing any waterless urinal or cartridge to reduce potential exposure to any such gases.

sloanvalve.com

The information in this document is subject to change without notice.
©2014 Sloan Valve Company All rights reserved.

0816498 Rev. 3 (07-14)

1

USE UTILITY KNIFE TO CUT CAULK then use a putty knife and mallet to remove the bowl. Remove hanger brackets, scrape off caulk, and clean the wall.

2

2" side cutter blade

IMPORTANT: Use a drain machine to remove build-up inside pipes. Clean up to 25 feet deep then finish with water to remove cutting debris.

3

A. Clean face of existing wall flange.
B. Install the brass flange with the clean inspection disc.
C. Slowly pour water into the drain.
D. Use a flashlight to check the pitch/slope. There should be no water present in the inspection disc or nipple.
E. Remove flange after inspection.

4

Cut away wall

Lift drain line & brace with mending plate

ADJUST DRAIN TO ACHIEVE PITCH If standing water is present (code requires 1/4" drop per foot of drain line for proper pitch). Seal wall according to code.

5

4 1/4"

Install plastic anchor and screw here

MEASURE & MARK THE ROUGH-IN If in-wall carrier is not used. Use a 5/16" masonry bit to drill hole, then install the hanger bracket with one plastic anchor and screw.

6

INCORRECT **CORRECT**

A **Not centered** **Centered**

A. Hang the bowl on the bracket and check tail pipe alignment, then remove the bowl and adjust the bracket as needed.
Re-hang and re-check bowl alignment with drain line. Tail pipe should align with center of drain line.

B. Mark anchor holes then remove bowl without moving hanger bracket.

7

DETERMINE THE DRAIN NIPPLE DEPTH by measuring the distance between the back of the sanitary tee (or elbow) to the front edge of the nipple.

8

A. Find the drain nipple depth on the Tube Cutting Chart (left). Measure and mark the specified trim length on the insert tube at the nearest 1/4" groove.

B. Cut the tube at the groove using a sharp utility knife to ensure a square, flat cut.

C. Clean burrs from the cut end by using emery paper.

D. Apply lubricant to the outside of the rubber brushing and ribbed inside area.

E. Insert the tube and brushing with arrow tab at the top. Apply lubricant to tailpipe of housing.

Arrow tab UP

9

PLACE THE SEAL INTO THE FLANGE with the ribs facing out. Install the flange with washers and hex nuts, but do not tighten completely.

110

INSTALL THE GEAR CLAMP with screw head at bottom, but do not tighten.

11

DRILL HOLES with 5/16" masonry bit for the lower anchor screws and insert plastic anchors.

Install two additional screws

12

HANG THE BOWL inserting tailpipe into brushing, then install anchor screws with washers.
TIGHTEN FLANGE BOLTS.

13

POUR 5 GALLONS OF WATER as rapidly as possible into housing to ensure good flow and no leaks or standing water.

14

CAULK THE BOWL TO THE WALL.

15

INSTALL THE CARTRIDGE per the cartridge instruction sheet.