

# INSTALLATION INSTRUCTIONS



Water Connects Us®



SU-7025  
Rear Inlet Flat  
Back Urinal

## BEFORE YOU BEGIN

**⚠ WARNING:** Risk of personal injury or product damage. Handle with care.

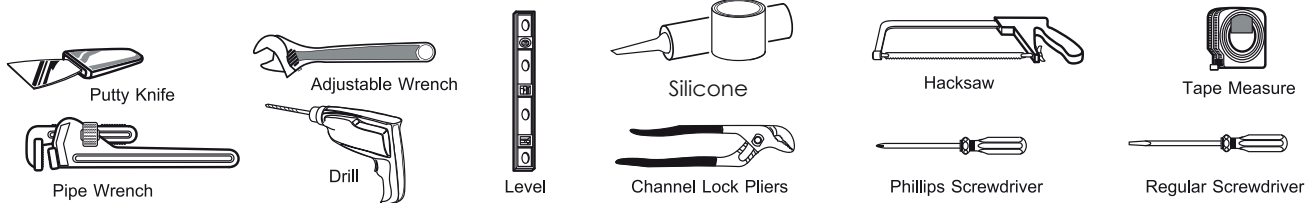
• **FOR BEST PERFORMANCE OF YOUR SLOAN® URINAL, USE SLOAN® Concealed Sensor Urinal Flush Valve**

- Vitreous China can break or chip if the bolts and nuts are over-tightened, or if the product is handled carelessly.
- Observe all local plumbing and building codes.
- Check for any damage to the new urinal before installation.
- Make sure the wall is strong enough to support the new urinal prior to installation. Reinforce or install a urinal carrier if necessary.

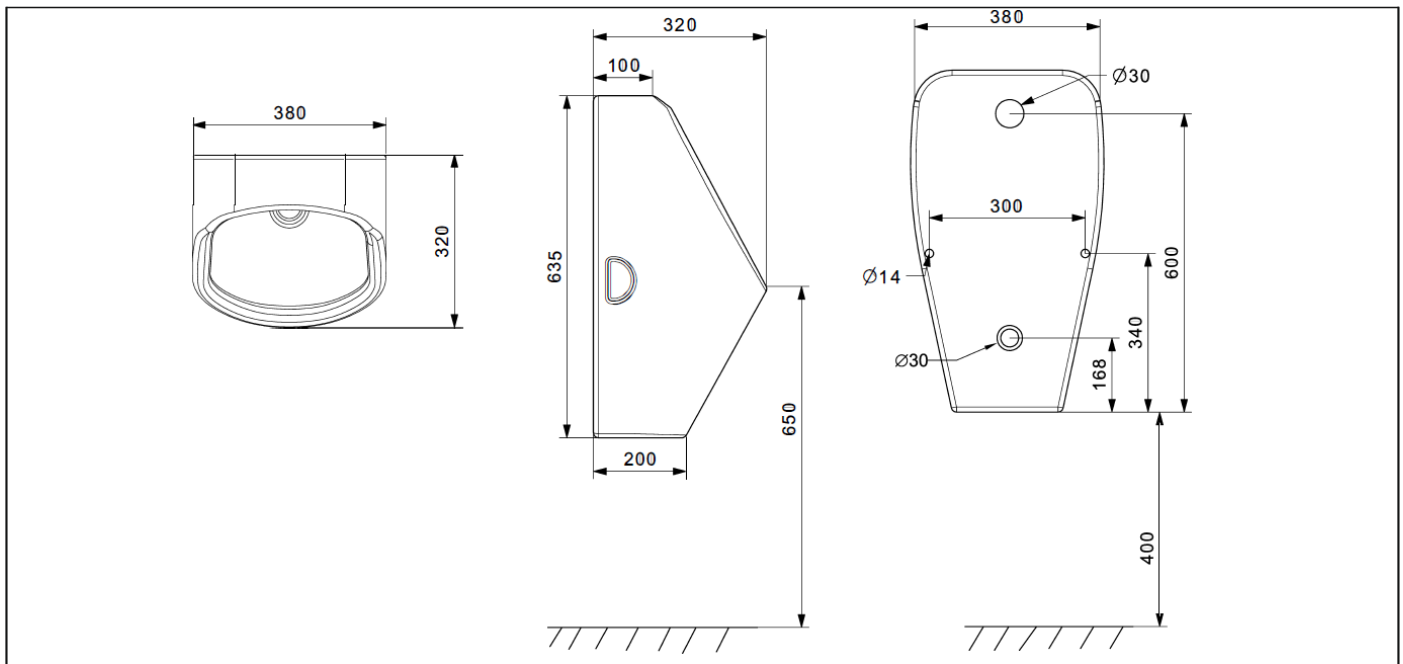
**⚠** Minimum Flowing Pressure: 10 PSI  
**⚠ WARNING:** hazardous gases can escape through the waste pipe if new urinal is not installed quickly. A temporary fix: place a rag in the waste pipe hole.



## RECOMMENDED TOOLS AND MATERIALS:-



## INSTALLATION GUIDELINE



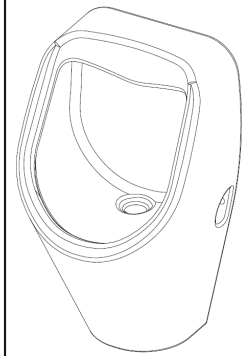
**SLOAN**

SLOAN INDIA PRIVATE LIMITED

344, PHASE-II, UDYOG VIHAR, GURGAON 122015 Phone: (+91) 124-6013333

Toll Free: 1800.123.3080 | [customercare@sloan.in](mailto:customercare@sloan.in) | [sloan.in](http://sloan.in) Copyright © 2023 Sloan. All rights reserved.

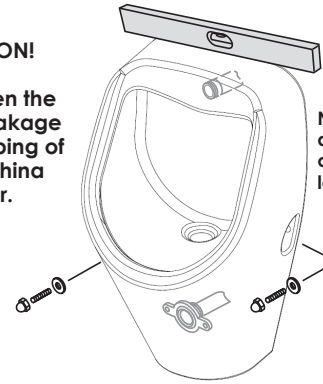
# INSTALLATION GUIDELINE



**Note:-**All vitreous china dimensions shown in these drawings are nominal. Dimensions can vary within the tolerances established in the governing BIS standard. Please take this into consideration when planning rough-in and plumbing layouts. Product illustrations shown are representative only; actual products may vary. Sloan reserves the right to make changes in product characteristics, packaging or availability at any time without notice.

**CAUTION :** Do not use white cement or high lime-content cement to install this toilet. The expansion of cement due to rise in temperature may cause the toilet to crack or damage. Sloan is not responsible for any damage due to installation with the use of cement.

**CAUTION!** Do not overtighten the bolts. Breakage and chipping of vitreous china can occur.



**Note:** Before drilling holes, check if urinal is level.

Hand tighten hex acorn nut into one end of each bolt before carefully securing and tightening them

## COMPLETING THE INSTALLATION

- Install flush valve(not included) to manufacturer's installation instructions.
- Turn on water supply valve.
- Flush urinal a few times and check all connections for water seepage.
- Use Silicone on urinal perimeter where urinal meets the wall surface to provide a suitable hygienic seal.

## CARE AND CLEANING OF VITREOUS CHINA:-

- Clean urinals with a cleaner safe for vitreous china . Spray and wipe clean using soft cloth. Soft abrasive cleaners may be used to remove stains.

**Note:** Product illustrations shown are representative only; actual products may vary.

## SLOAN® INDIA PRIVATE LIMITED — LIMITED WARRANTY SUMMARY

Sloan india private limited ("sloan"), warrants its products against defects in materials and workmanship, excluding damage caused by matters beyond sloan's reasonable Control. Instructions for filing claims can be found in the limited warranty which can be obtained at <https://www.sloan.com/sloan-india-limited-warranty> or by requesting a Free copy by telephone to sloan india toll free number 1 800 123 3080 or via mobile: +91 729 005 0961 or via landline : +91 124 601 3333. Sloan will repair or replace your Defective product, or provide a refund, as your exclusive remedy.

This is only a general summary of sloan's limited warranty so it is important to note that the specific terms, conditions, limitations and exclusions, including the duration of Warranty coverage for your particular sloan product, are contained in the actual sloan limited warranty. The limited warranty is subject to applicable laws in your country, state, Province or other jurisdiction—and disputes arising under the limited warranty are to be resolved by binding arbitration unless you provide sloan with an opt-out notice no later Than 30 days after your purchase date. In case of a conflict with this summary, the terms and conditions set forth in the complete limited warranty will prevail.

The information contained in this document is subject to change without notice.

# SLOAN®

SLOAN INDIA PRIVATE LIMITED

344, PHASE-II, UDYOG VIHAR, GURGAON 122015 Phone: (+91) 124-6013333

Toll Free: 1800.123.3080 | [customercare@sloan.in](mailto:customercare@sloan.in) | [sloan.in](http://sloan.in) Copyright © 2023 Sloan. All rights reserved.