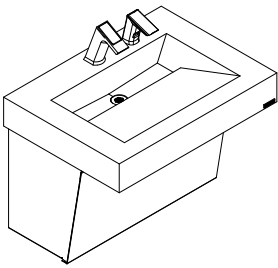
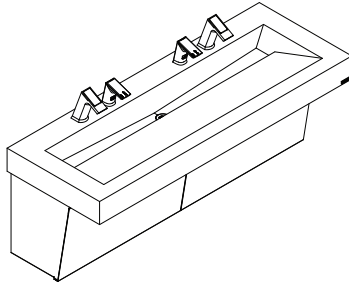


Sloan Sink Systems Designer Series, Gradient

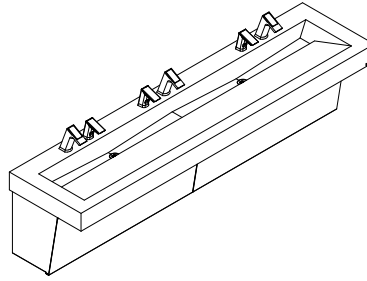
One, Two, Three and Four Station Corian® or Quartz Lavatory System



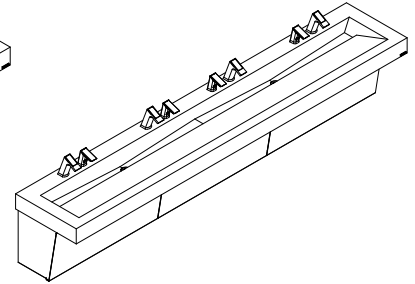
DSG-81000
Deck Sink Lavatory System



DSG-82000
Deck Sink Lavatory System



DSG-83000
Deck Sink Lavatory System



DSG-84000
Deck Sink Lavatory System

Important



Read this entire installation manual to ensure proper installation. When finished with the installation, file this manual with the owner or maintenance department. Compliance and conformity to local codes and ordinances is the responsibility of the installers.



Separate parts from packaging and make sure all parts are accounted for before discarding any packaging material. If any parts are missing, do not begin installation until all parts are obtained.



Make sure that all water supply lines have been flushed and completely turned off before starting the installation. Debris in supply lines can cause valves to malfunction.



Turn off electrical power to the electrical outlets, then unplug units prior to installation. Electrical power **MUST** remain off until installation is complete.



Installers hardware must be appropriate for wall construction. Wall anchors and mounting fasteners **MUST** have a minimum pull-out rating of 1,000 lbs.



For standard height mounting, **DO NOT** exceed the recommended 34 inch distance from the top of the lav deck to the finished floor. To meet ADA requirements the lav deck cannot not exceed the 34 inch maximum height dimension.

Tools and Supplies Required for Installation

- Electric drill for drilling anchor holes.
- Standard sockets, basin wrench, and open end wrench set for installing anchoring fasteners and faucets.
- Pipe wrench for installing drain lines.
- Phillips and straight blade screwdrivers.
- Tubing cutter
- Level
- Carpenter's square
- Caulk gun
- 1/2" NPT hot/cold or tempered supply piping
- 1 1/2" NPT drain piping including p-trap
- Adhesive: Loctite® PL Premium® FAST GRAB Polyurethane Construction Adhesive
- 110 volt GFCI protected electrical outlet for 100-120 VAC plug-in transformer
- Screen filter(s) included with faucet(s)
- Backing supplied by others to meet local codes

Prior to Installation

CAUTION

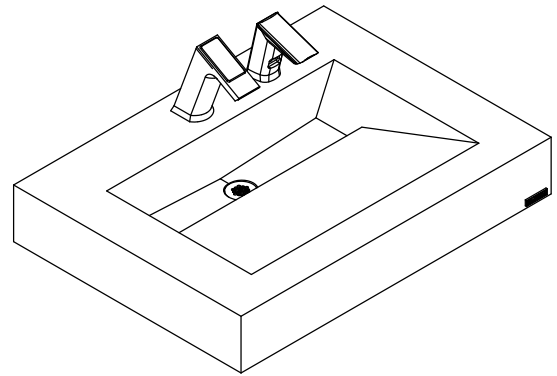
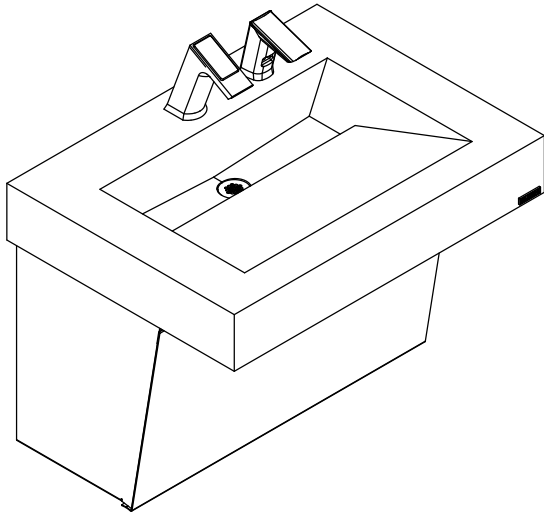
- ADEQUATE STRUCTURAL SUPPORT IN OR BEHIND THE WALL IS REQUIRED.
- ALL ELECTRICAL WIRING IS TO BE INSTALLED IN ACCORDANCE WITH NATIONAL/LOCAL CODES AND REGULATIONS. ELECTRICAL OUTLETS SHOULD BE RECESSED AND INSTALLED PRIOR TO INSTALLATION.
- ALL PLUMBING SHOULD BE INSTALLED IN ACCORDANCE WITH APPLICABLE CODES AND REGULATIONS.
- BEFORE CONNECTING FLEX HOSES TO SUPPLY STOPS, FLUSH ALL WATER LINES UNTIL WATER IS CLEAR.
- HOT AND COLD WATER SUPPLY LINES/TEMPERED SUPPLY LINE AND DRAIN LINES. RECOMMENDED TO HAVE CONTROL STOPS ON WATER SUPPLY LINES IN PLACE PRIOR TO INSTALLATION.

Sloan® Limited Warranty Summary

Sloan Valve Company ("Sloan"), warrants its products against defects in materials and workmanship, excluding damage caused by matters beyond Sloan's reasonable control. Instructions for filing claims can be found in the Limited Warranty which can be obtained at www.sloan.com or by requesting a free copy by telephone at 888.756.2614. Sloan will repair or replace your defective product, or provide a refund, as your exclusive remedy. This is only a general summary of Sloan's Limited Warranty so it is important to note that the specific terms, conditions, limitations and exclusions, including the duration of warranty coverage for your particular Sloan product, are contained in the actual Sloan Limited Warranty. The Limited Warranty is subject to applicable laws in your country, state, province or other jurisdiction—and disputes arising under the Limited Warranty are to be resolved by binding arbitration unless you provide Sloan with an opt-out notice no later than 30 days after your purchase date. In case of a conflict with this summary, the terms and conditions set forth in the complete Limited Warranty will prevail.

DSG-81000

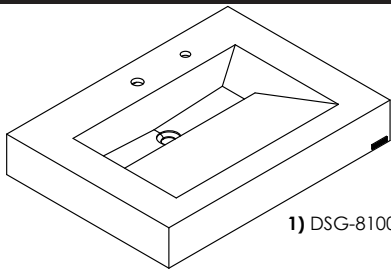
One Station Corian® or Quartz Lavatory Systems



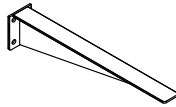
Sink Location

Determine the appropriate wall location for the Lavatory System. Refer to original spec sheets for correct placement of electrical and plumbing locations. If wall is not load bearing, a carrier may be required behind the wall. Refer to the appropriate Rough-In diagram for Lavatory System dimensions. Prior to Lavatory System installation, electric wiring, water supply and drain must be installed.

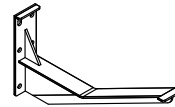
DSG-81000, One Station Components



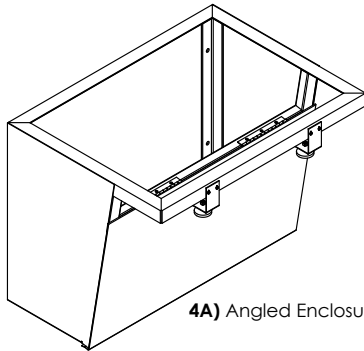
1) DSG-81000 Deck



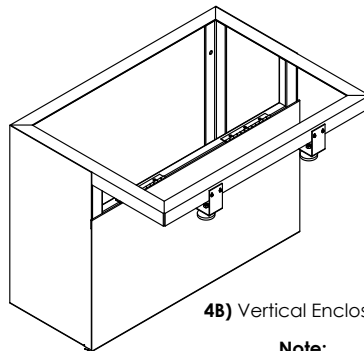
2) Side Bracket



3) Middle Bracket



4A) Angled Enclosure



4B) Vertical Enclosure



5) EFX Series Faucet



6) ESD 500 Soap Dispenser



7) Grid Strainer

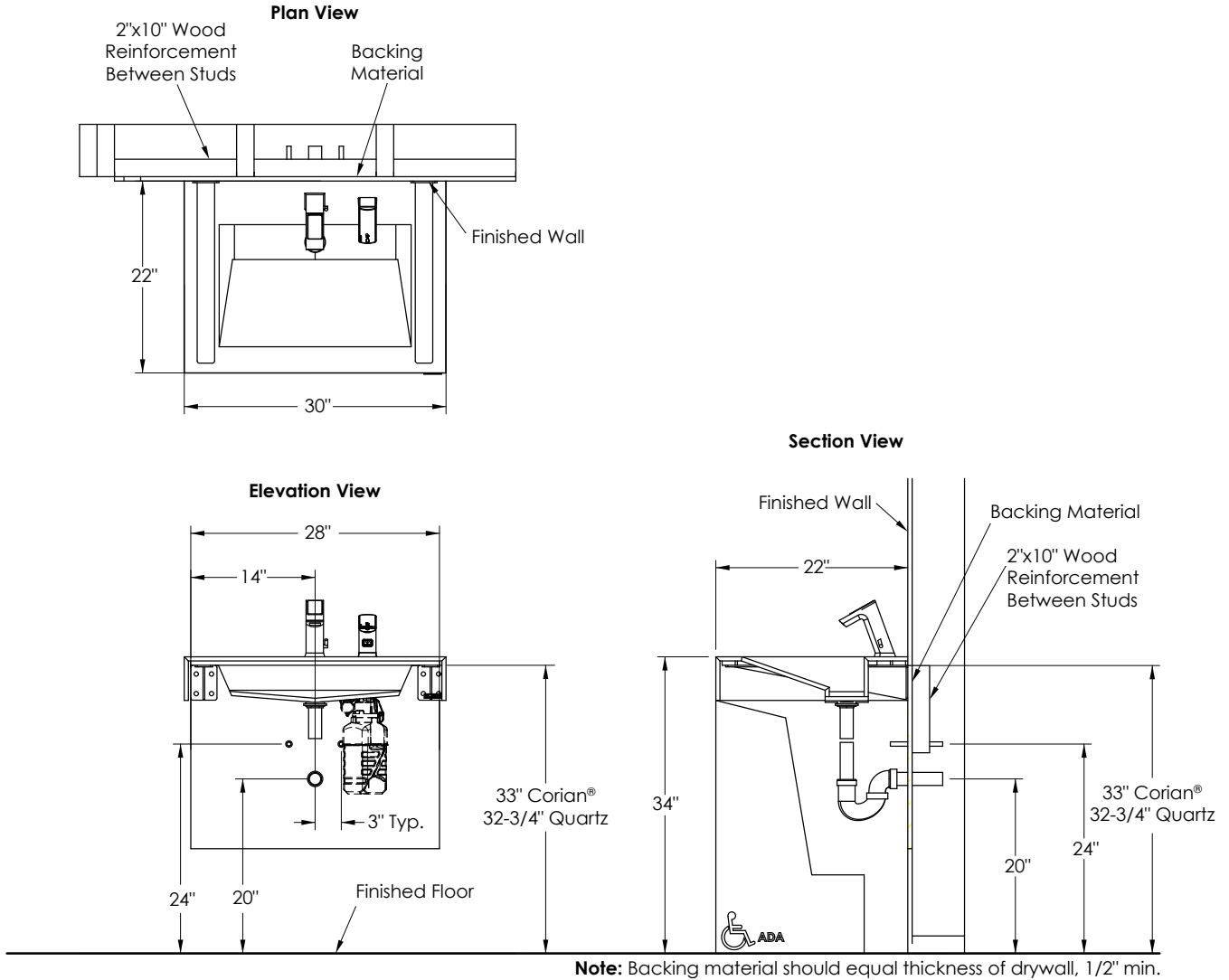
Note:
Faucet and Soap dispenser models shown for reference, actual units will depend on what was selected at order entry.

DSG-81000, One Station Components List

Description	Item Number	Quantity
Designer Series Gradient, One Station, Deck	1	1
Side Bracket (Mounting Option)	2	2
Middle Bracket (Mounting Option, not required for single station)	3	N/A
Angled Enclosure with Hold Open Door (Mounting Option)	4A	1
Vertical Enclosure with Hold Open Door (Mounting Option)	4B	1
EFX Series Faucet	5	1
Basys Style ESD 500 Soap Dispenser Note: If ESD-500 Selected – Area under the sink must be clear for proper installation access and soap bottle change (no outlets, stops, etc).	6	1
Grid Strainer	7	1

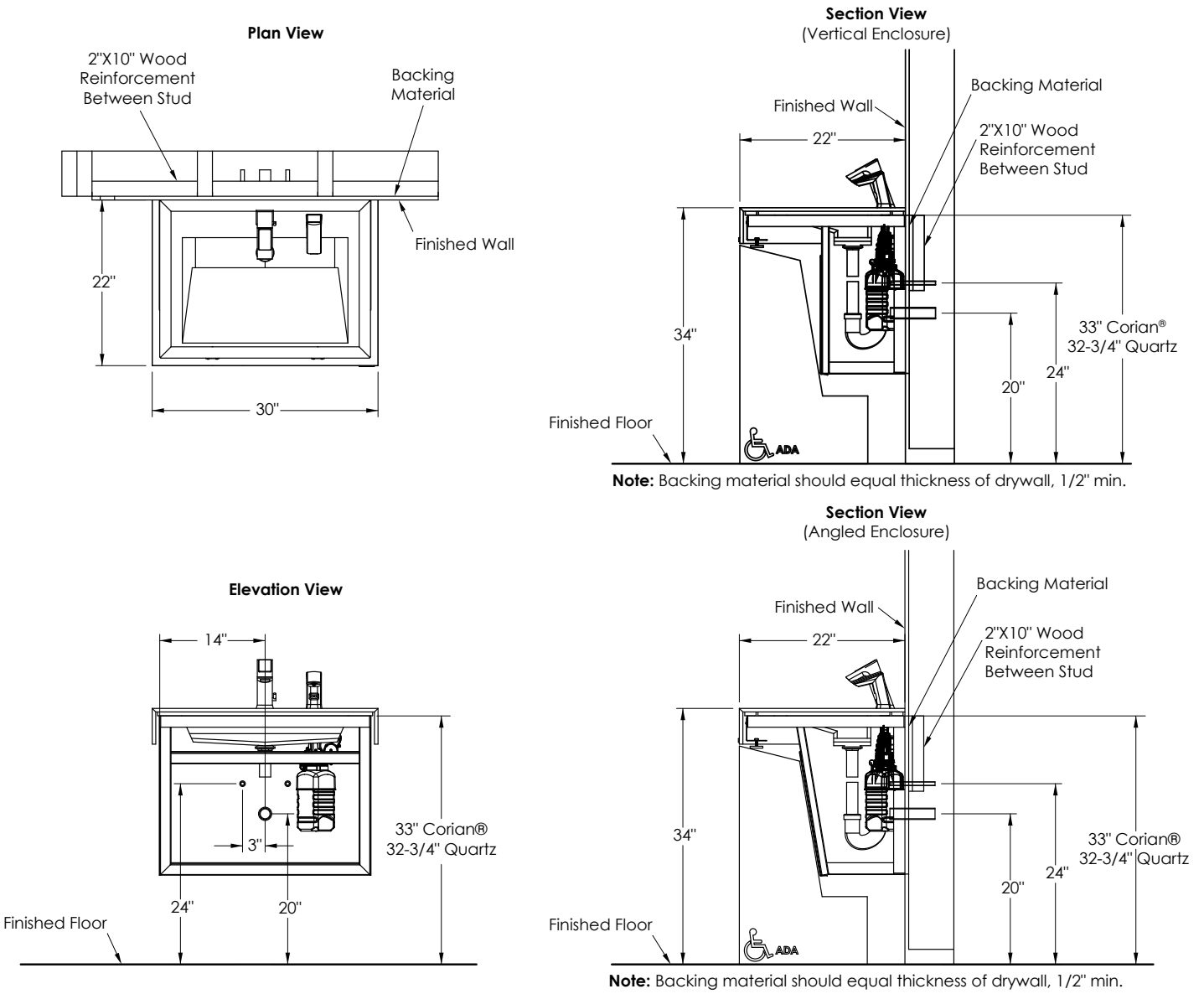
Rough-In (One Station); Bracket Mounting Option

Figure 1



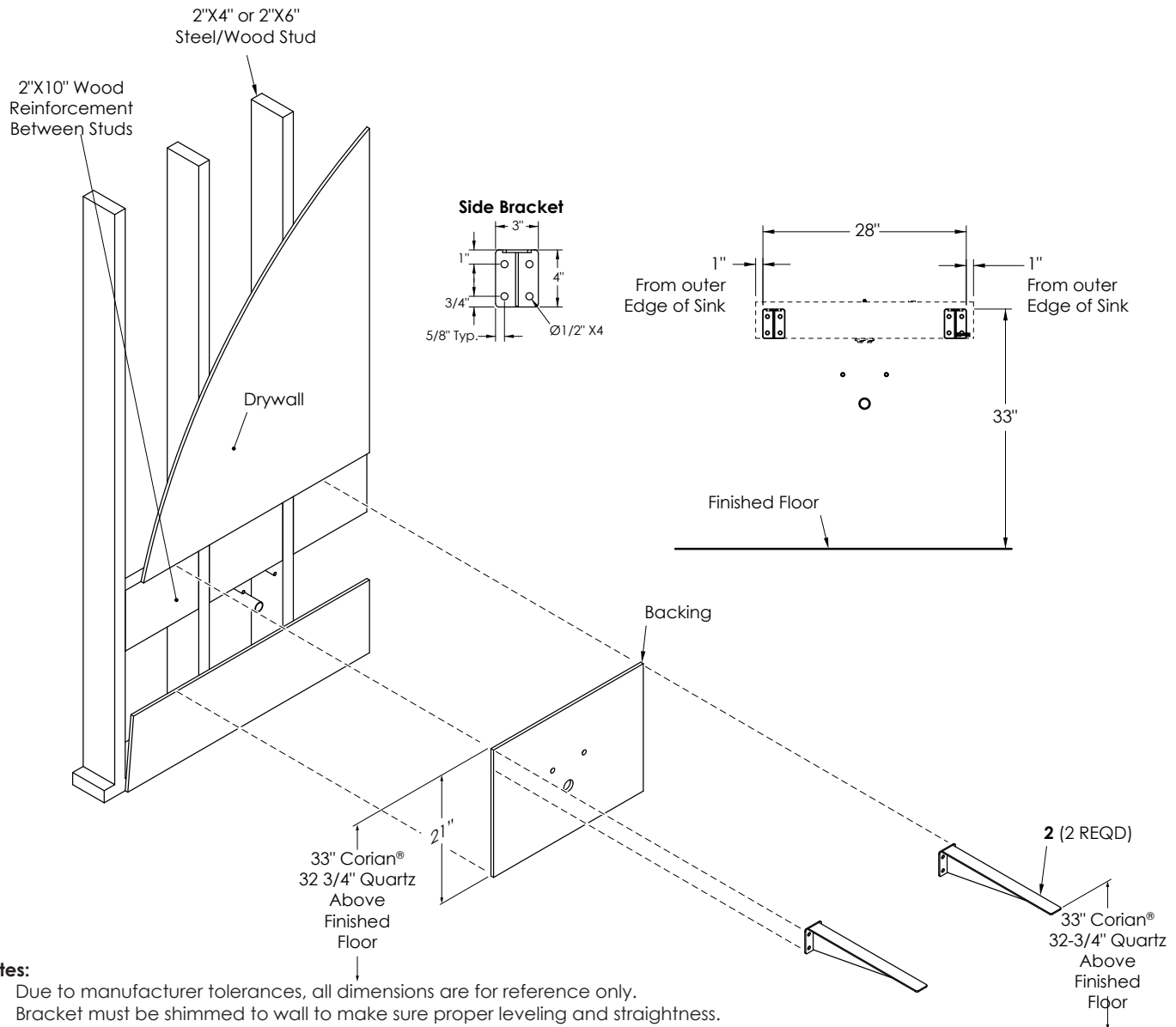
Rough-In (One Station); Enclosure Mounting Option

Figure 2



Backing and Bracket Installation (One Station)

Figure 3



Notes:

- Due to manufacturer tolerances, all dimensions are for reference only.
- Bracket must be shimmed to wall to make sure proper leveling and straightness.
- Wood 2"X10" may need to be notched to allow clearance for electrical box and plumbing. DO NOT cut wall support studs.

1. Install Backing Figure 3 onto wall studs.

Note: Backing supplied by others to meet local codes.

- If drywall is present, refer to rough-in, Figure 1, and cut out drywall window to the outer dimension of the side brackets at 10" high, 33" Corian®, 32 3/4" Quartz, above finished floor.
- Remove drywall window.
- Pre-drill/cut holes for plumbing and electrical as required.
- Install backing into cutout drywall window.

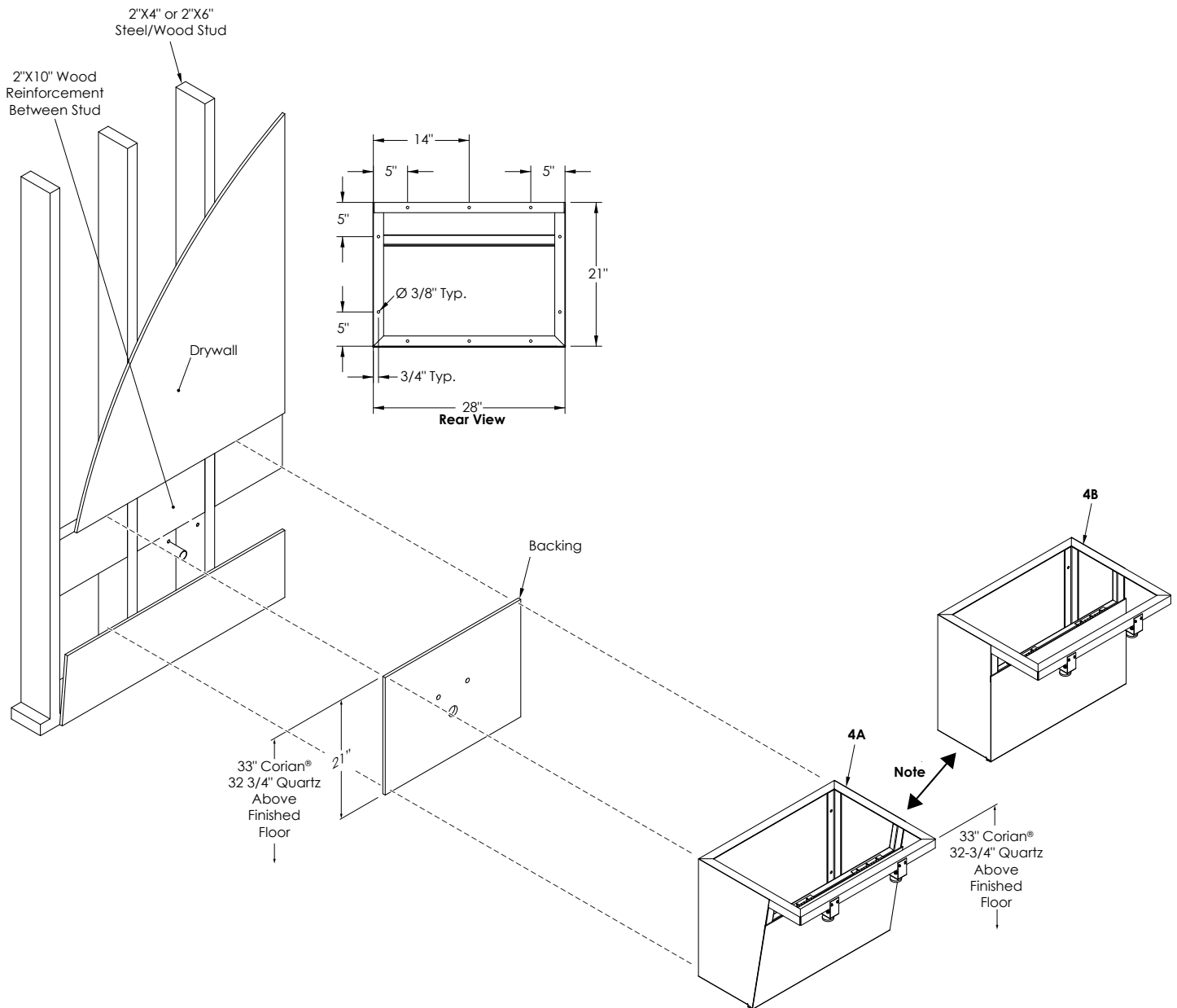
2. Mount the Side Brackets (2, Figure 3) to the backing. Ensure that Side Brackets (2) are level and the proper distance from the floor.

Note: Anchor side brackets to wall using 1,000 lb pull out mounting fasteners for 3/8" holes (not supplied).

- Using mounting fasteners (Not supplied) secure Side Brackets (2) onto backing, make sure that the top of Side Brackets (2) are 33 inches (Corian®), 32 3/4" (Quartz), above finished floor. (ADA specifications)

Backing and Enclosure Installation (One Station)

Figure 4



3. Install Backing (Figure 4) onto wall studs.

Note: Backing supplied by others to meet local codes.

- a. If drywall is present, refer to rough-in, Figure 2, measure outer dimensions of Enclosure (4A / 4B) and cut out drywall window.
- b. Remove drywall window.
- c. Pre-drill/cut holes for plumbing and electrical.
- d. Install backing into cutout drywall window.

4. Refer to the template in (Figure 4), mount the Enclosure (4A / 4B) to the backing. Ensure that Enclosure (4A / 4B) is level and the proper distance from the floor.

Note: Anchor enclosure to wall using 1,000 lb pull out mounting fasteners for 3/8" holes (not supplied).

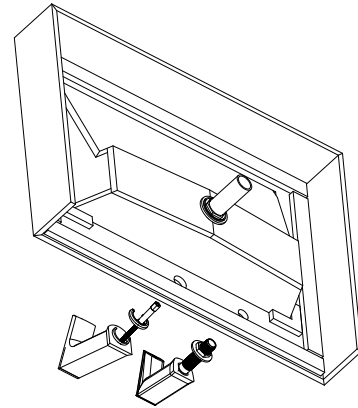
- a. Using mounting fasteners secure Enclosure (4A / 4B) onto backing, making sure that the top of Enclosure (4A / 4B) is 33 inches (Corian®), 32 3/4 inches (Quartz) above finished floor. (ADA specifications)

Faucet and Soap Installation (One Station)

Notes:

- For ease of deck installation, leave the deck lying on its front (if no bag hooks are installed) or lying on its back and install component spouts.
- Components shown for reference only.
- Install Faucet, Soap Dispenser spouts and grid strainer.

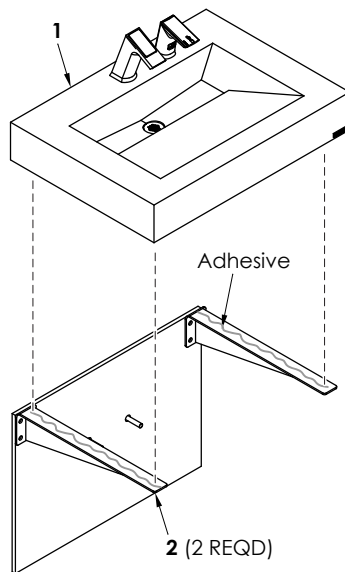
Figure 5



5. Install Faucet and Soap spouts, (Figure 5) onto sink according to manufacturer's instructions provided with component.

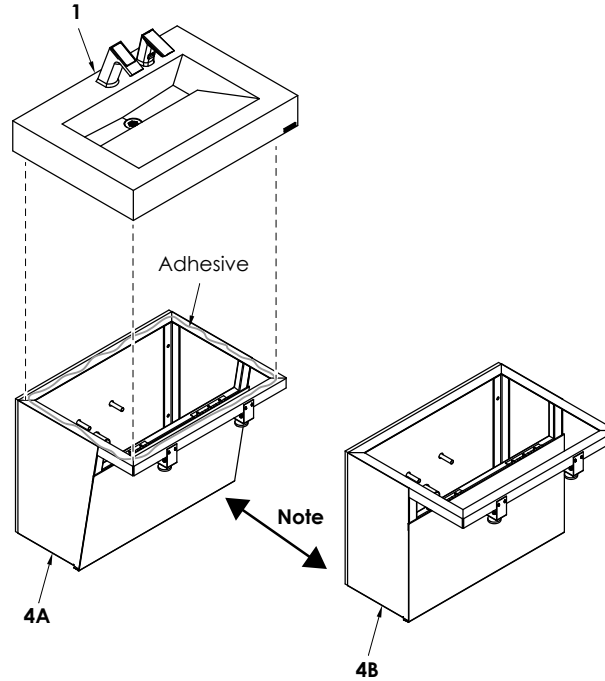
Sink Installation (One Station); Bracket

Figure 6



6. Install Deck (1, Figure 6) onto Side Brackets (2).
Note: Back of Deck (1) may require scribing to finished wall.
 - a. Apply adhesive (not supplied) to the top of Side Brackets (2).
 - b. Lower Deck (1) onto Side Brackets (2). Shim all gaps between Side Brackets (2) and Deck (1).
 - c. Install all water connections and drain lines.

Figure 7



Note: Angled Enclosure and Vertical Enclosure, sink installation is the same.

7. Install Deck (1, Figure 7) onto Enclosure (4A / 4B).

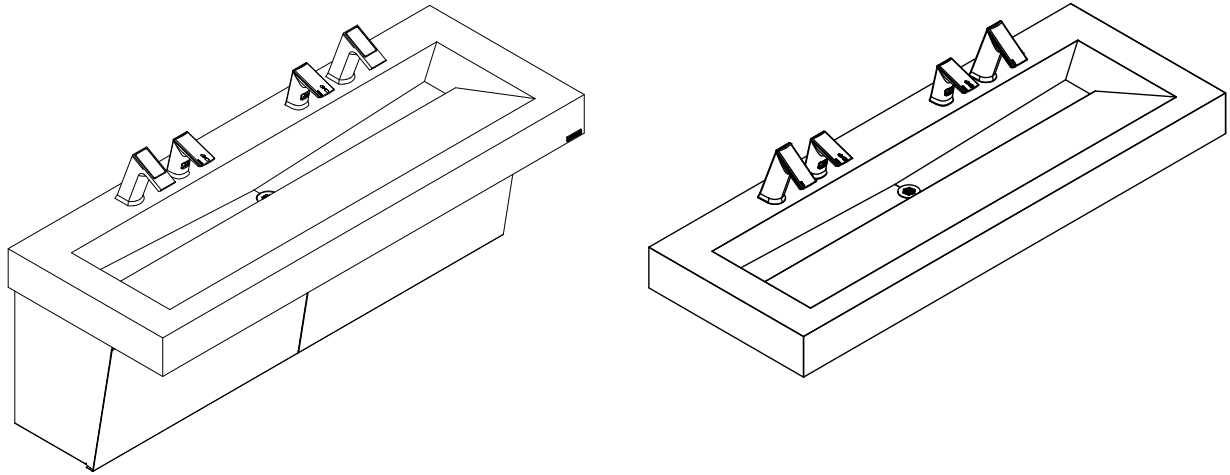
Note: Back of Deck (1) may require scribing to finished wall.

- a. Apply adhesive (not supplied) to the top of Enclosure (4A / 4B).
- b. Lower Deck (1) onto Enclosure (4A / 4B). Shim all gaps between Enclosure (4A / 4B) and Deck (1).
- c. Install all water connections and drain lines.
- d. Remove any and all protective tape and/or wrap. Close access panel on Enclosure (4A / 4B).

End of DSG-81000 Installation Instructions

DSG-82000

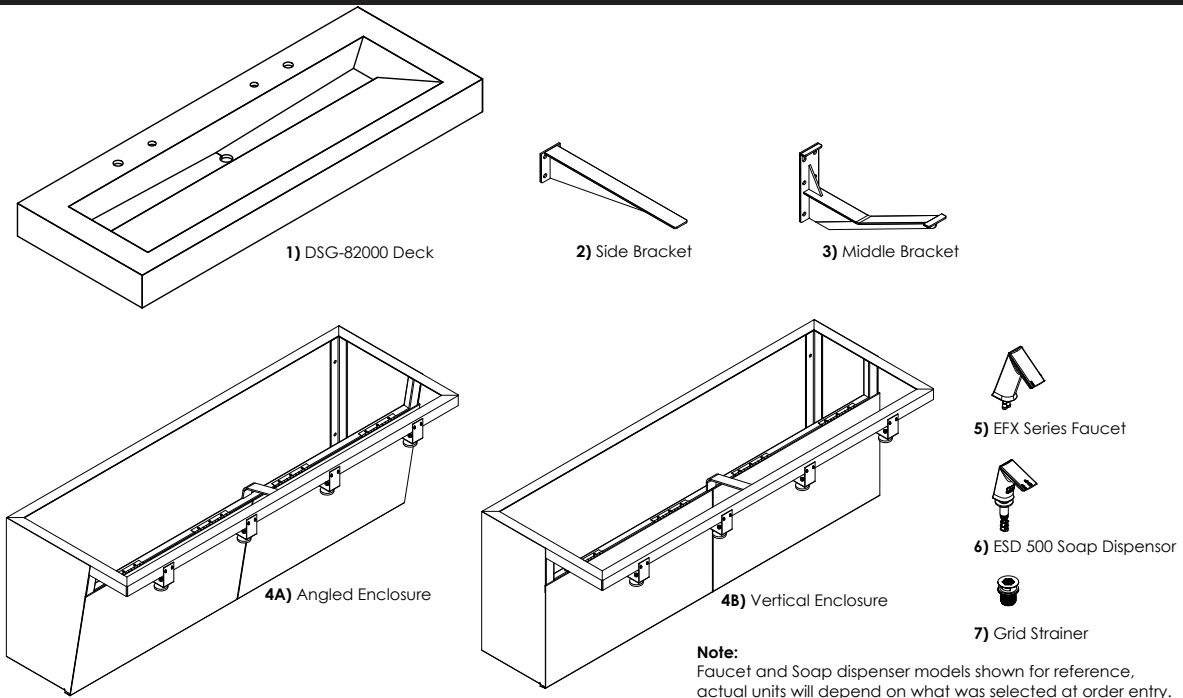
Two Station Corian® or Quartz Lavatory Systems



Sink Location

Determine the appropriate wall location for the Lavatory System. Refer to original spec sheets for correct placement of electrical and plumbing locations. If wall is not load bearing, a carrier may be required behind the wall. Refer to the appropriate Rough-In diagram for Lavatory System dimensions. Prior to Lavatory System installation, electric wiring, water supply and drain must be installed.

DSG-82000, Two Station Components

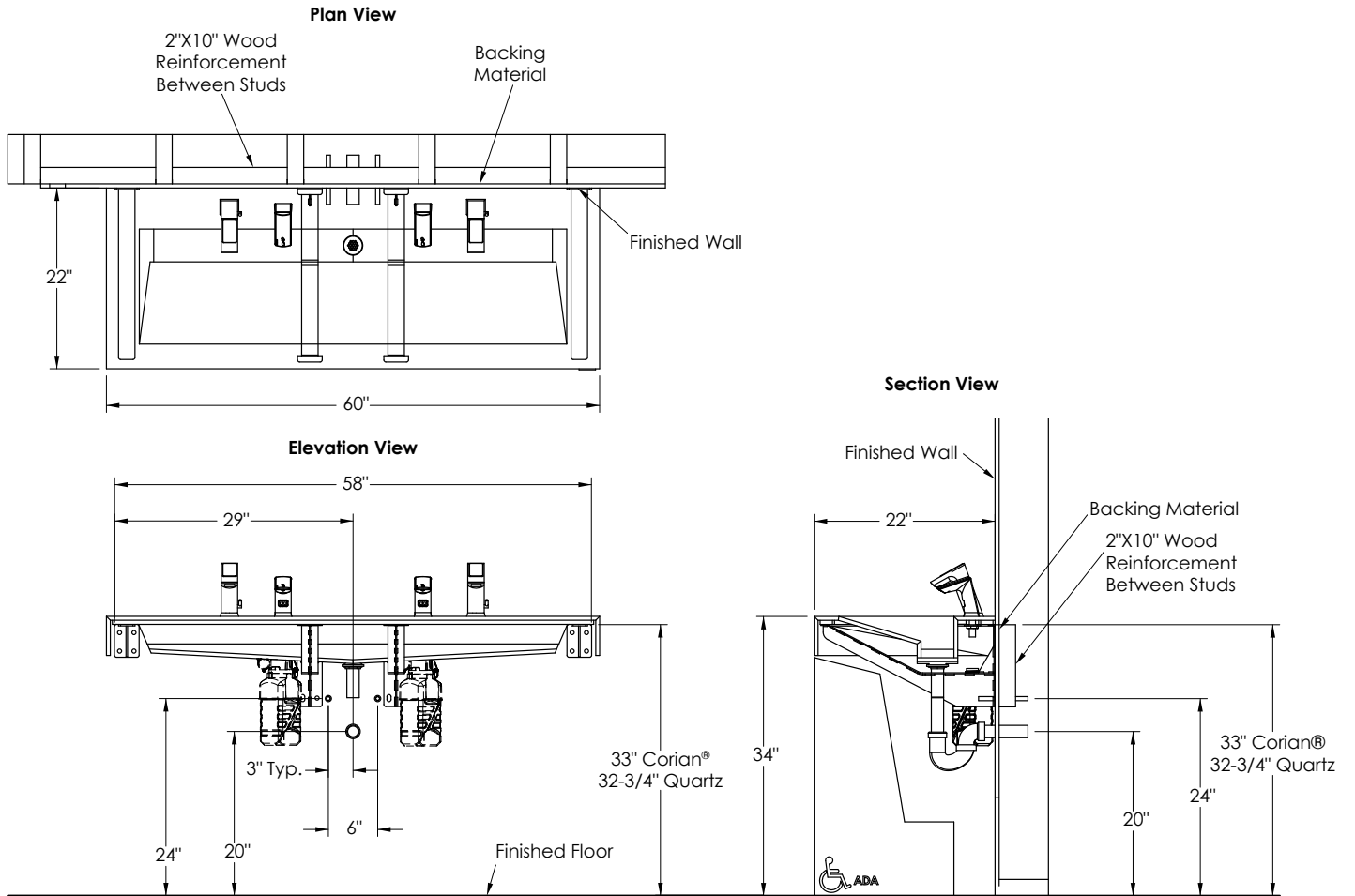


DSG-82000, Two Station Component List

Description	Item Number	Quantity
Designer Series Gradient, Two Station, Deck	1	1
Side Bracket <i>(Mounting Option)</i>	2	2
Middle Bracket <i>(Mounting Option, not required for single station)</i>	3	2
Angled Enclosure with Hold Open Door <i>(Mounting Option)</i>	4A	1
Vertical Enclosure with Hold Open Door <i>(Mounting Option)</i>	4B	1
EFX Series Faucet	5	2
Basys Style ESD 500 Soap Dispenser Note: If ESD-500 Selected – Area under the sink must be clear for proper installation access and soap bottle change (no outlets, stops, etc).	6	2
Grid Strainer	7	1

Rough-In (Two Station); Bracket Mounting Option

Figure 8

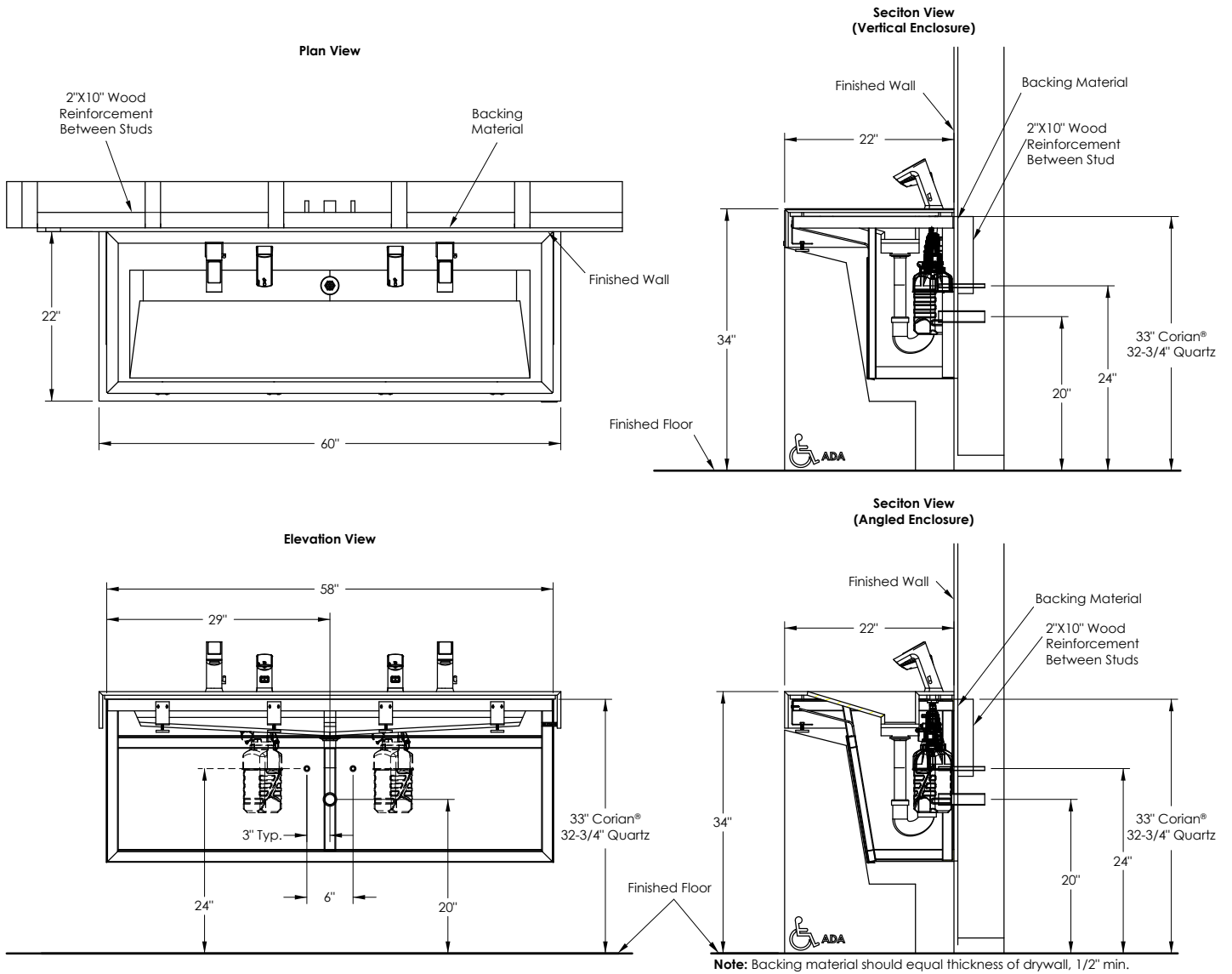


Notes:

1. Backing material should equal thickness of drywall, 1/2" min.
2. Mount brackets to allow clearance for plumbing, optimal spacing between all brackets is 18" ± 3".

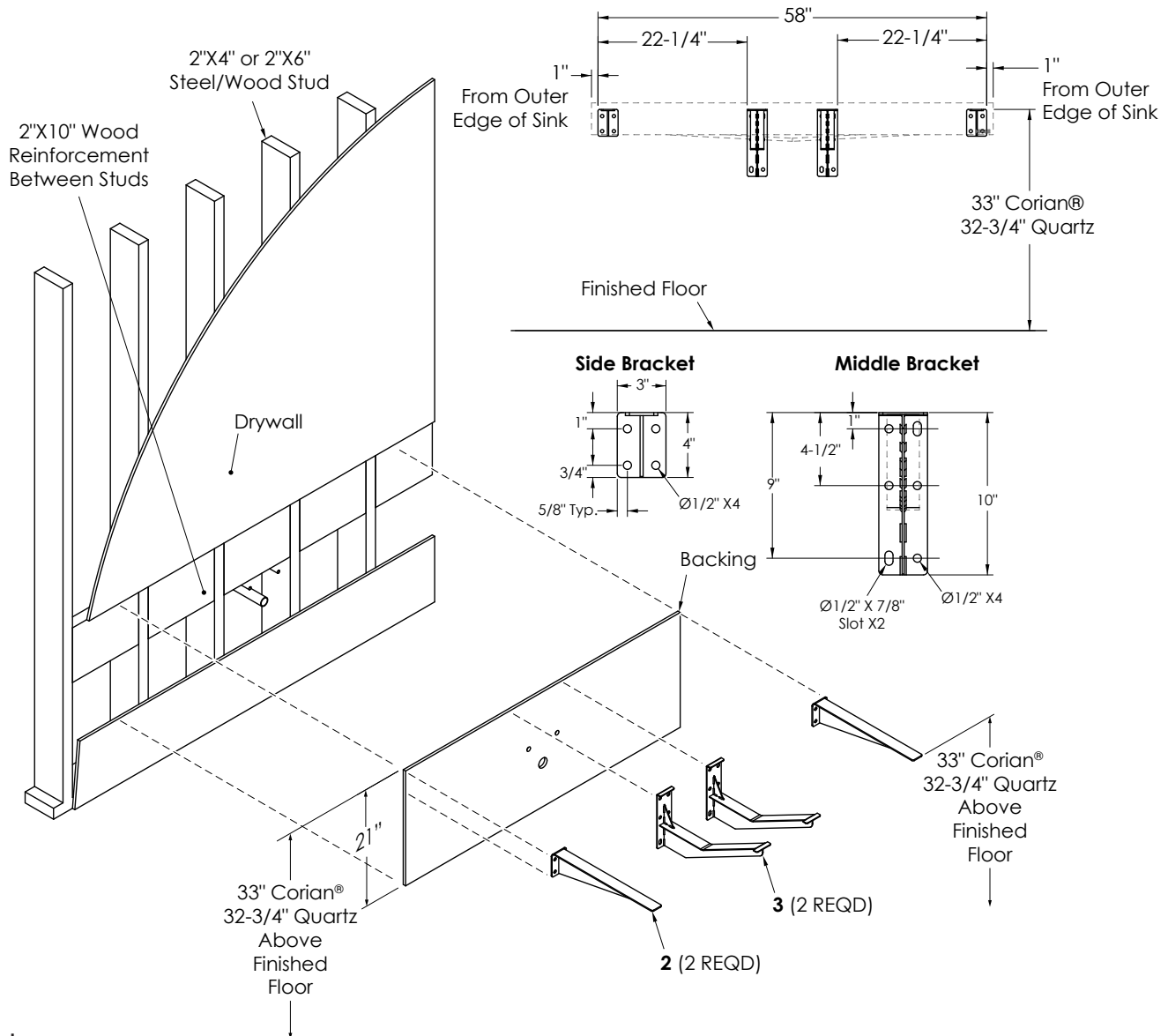
Rough-In (Two Station); Enclosure Mounting Option

Figure 9



Backing and Bracket Installation (Two Station)

Figure 10



Notes:

- Due to manufacturer tolerances, all dimensions are for reference only.
- Bracket must be shimmed to wall to make sure proper leveling and straightness.
- Wood 2"X10" may need to be notched to allow clearance for electrical box and plumbing. DO NOT cut wall support studs.

1. Install Backing (Figure 10) onto wall studs.

Note: Backing supplied by others to meet local codes.

- If drywall is present, refer to rough-in, Figure 8, and cut out drywall window to the outer dimension of the side brackets at 10" high, 33" Corian®, 32 3/4" Quartz, above finished floor.
- Remove drywall window.
- Pre-drill/cut holes for plumbing and electrical as required.
- Install backing into cutout drywall window.

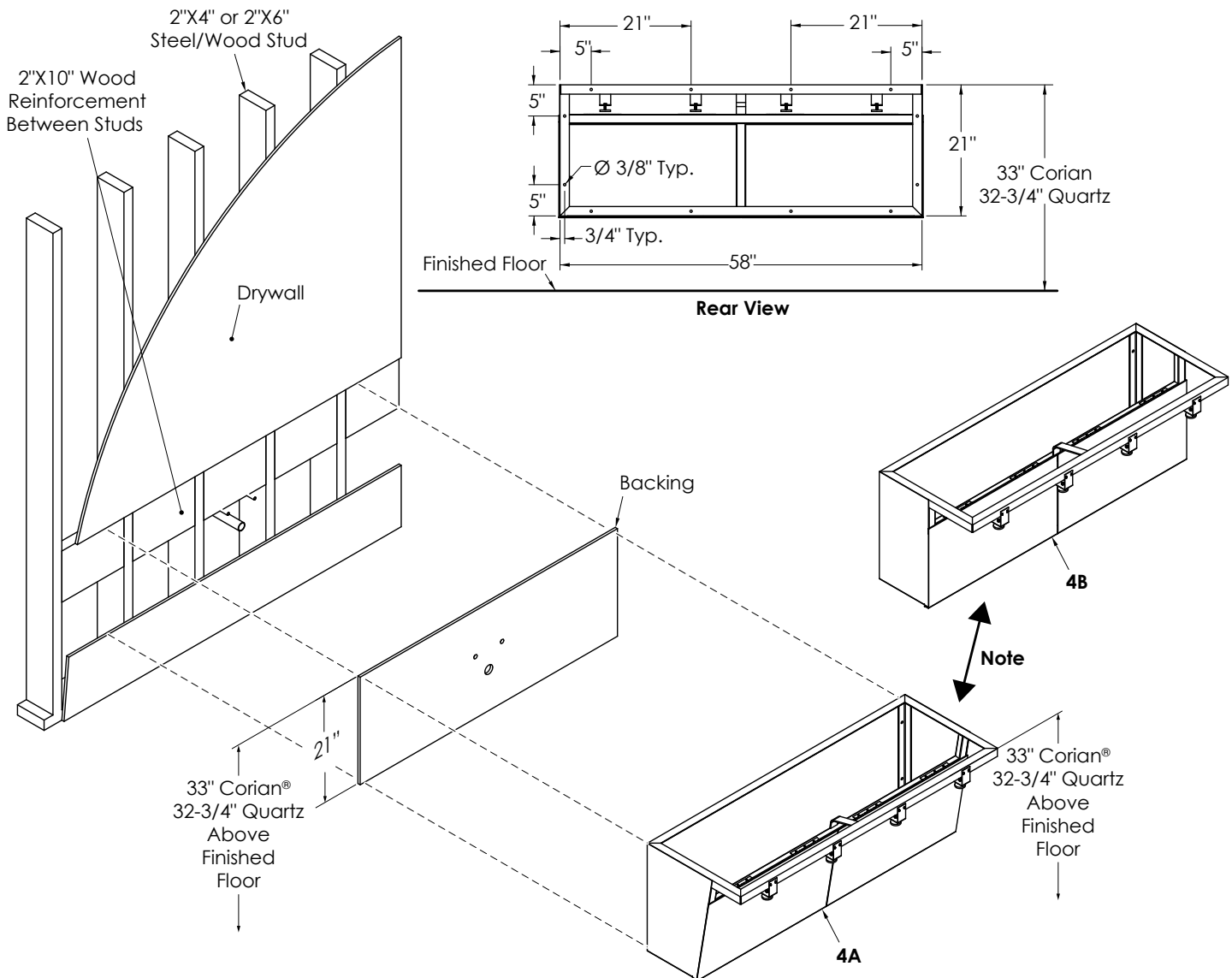
2. Mount the Side Brackets (2, Figure 10) and Middle Brackets (3) to the backing. Ensure that Side Brackets (2) and Middle Brackets (3) are level and the proper distance from the floor.

Note: Anchor side brackets to wall using 1,000 lb pull out mounting fasteners for 3/8" holes (not supplied).

- Using mounting fasteners (Not supplied) secure Side Brackets (2) and Middle Brackets (3) onto backing, make sure that the top of Side Brackets (2) and Middle Brackets (3) are 33 inches (Corian®), 32 3/4" (Quartz), above finished floor. (ADA specifications)

Backing and Enclosure Installation (Two Station)

Figure 11



Notes:

- Due to manufacturer tolerances, all dimensions are for reference only.
- Enclosure must be shimmed to wall to make sure proper leveling and straightness.
- Wood 2"x10" may need to be notched to allow clearance for electrical box and plumbing. DO NOT cut wall support studs.
- Angled Enclosure and Vertical Enclosure are installed the same.

3. Install Backing (Figure 11) onto wall studs.

Note: Backing supplied by others to meet local codes.

- If drywall is present, refer to rough-in, Figure 9, measure outer dimensions of Enclosure (4A / 4B) and cut out drywall window.
- Remove drywall window.
- Pre-drill/cut holes for plumbing and electrical.
- Install backing into cutout drywall window.

4. Refer to the template in (Figure 11), mount the Enclosure (4A / 4B) to the backing. Make sure that Enclosure (4A / 4B) is level and the proper distance from the floor.

Note: Anchor enclosure to wall using 1,000 lb pull out mounting fasteners for 3/8" holes (not supplied).

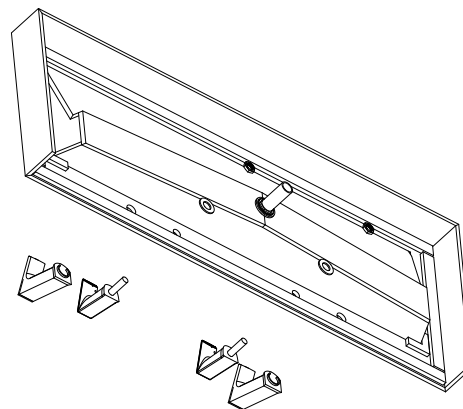
- Using mounting fasteners secure Enclosure (4A / 4B) onto backing, making sure that the top of Enclosure (4A / 4B) is 33 inches (Corian®), 32 3/4 inches (Quartz) above finished floor. (ADA specifications)

Faucet and Soap Installation (Two Station)

Notes:

- For ease of deck installation, leave the deck lying on its front (if no bag hooks are installed) or lying on its back and install component spouts.
- Components shown for reference only.
- Install Faucet, Soap Dispenser spouts and grid strainer.

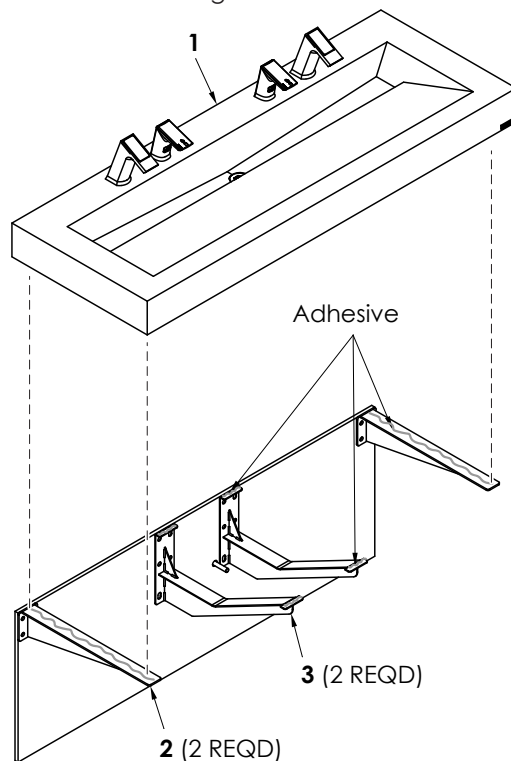
Figure 12



5. Install Faucet and Soap spouts, (Figure 12) onto sink according to manufacturer's instructions provided with component.

Sink Installation (Two Station); Bracket

Figure 13



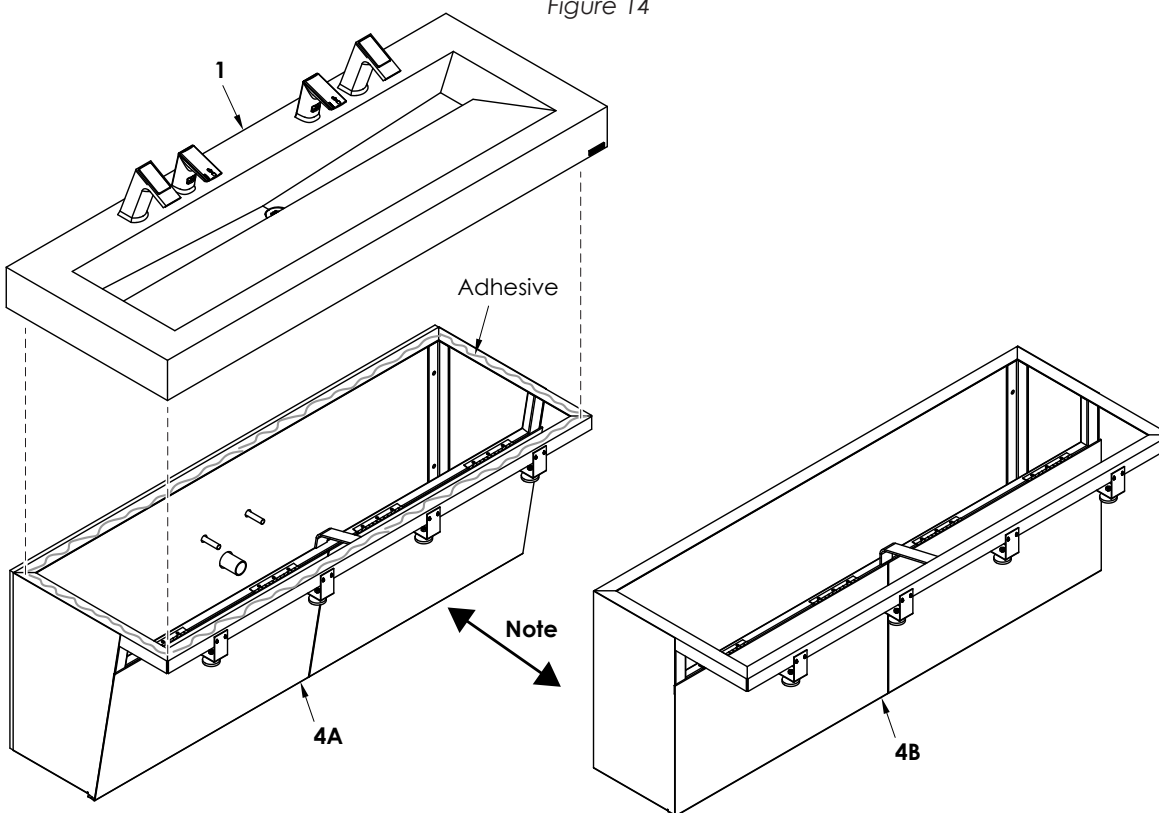
6. Install Deck (1, Figure 13) onto Side Brackets (2) and Middle Brackets (3).

Note: Back of Deck (1) may require scribing to finished wall.

- a. Apply adhesive (not supplied) to the top of Side Brackets (2) and Middle Brackets (3).
- b. Lower Deck (1) onto Side Brackets (2) and Middle Bracket (3). Shim all gaps between Side Brackets (2), Middle Brackets (3) and Deck (1).
- c. Install all water connections and drain lines.

Sink Installation (Two Station); Enclosure

Figure 14



Note: Angled Enclosure and Vertical Enclosure, sink installation is the same.

7. Install Deck (1, Figure 14) onto Enclosure (4A / 4B).

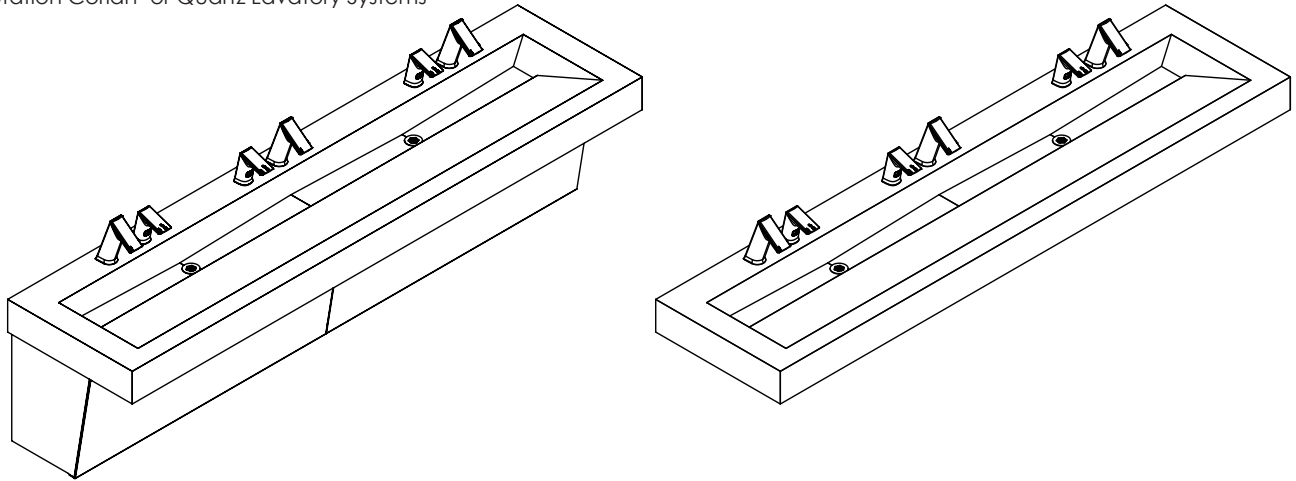
Note: Back of Deck (1) may require scribing to finished wall.

- a. Apply adhesive (not supplied) to the top of Enclosure (4A / 4B).
- b. Lower Deck (1) onto Enclosure (4A / 4B). Shim all gaps between Enclosure (4A / 4B) and Deck (1).
- c. Install all water connections and drain lines.
- d. Remove any and all protective tape and/or wrap. Close access panel on Enclosure (4A / 4B).

End of DSG-82000 Installation Instructions

DSG-83000

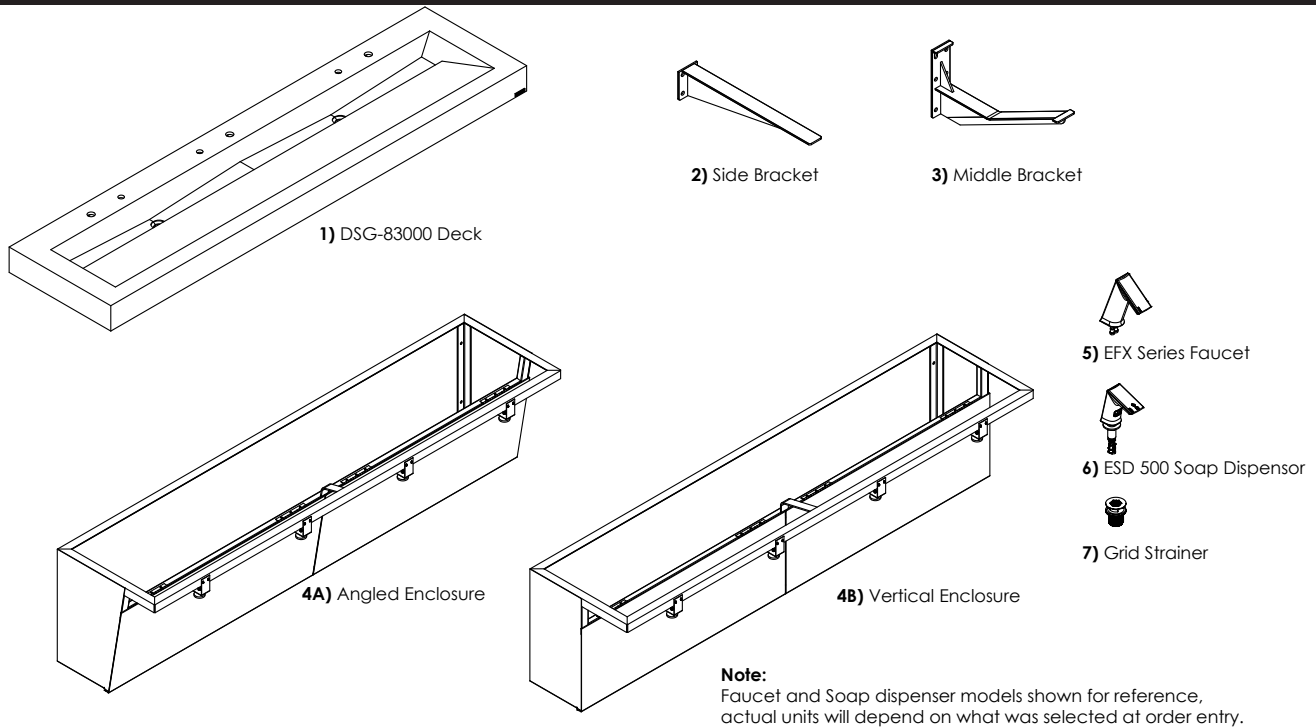
Three Station Corian® or Quartz Lavatory Systems



Sink Location

Determine the appropriate wall location for the Lavatory System. Refer to original spec sheets for correct placement of electrical and plumbing locations. If wall is not load bearing, a carrier may be required behind the wall. Refer to the appropriate Rough-In diagram for Lavatory System dimensions. Prior to Lavatory System installation, electric wiring, water supply and drain must be installed.

DSG-83000, Three Station Components



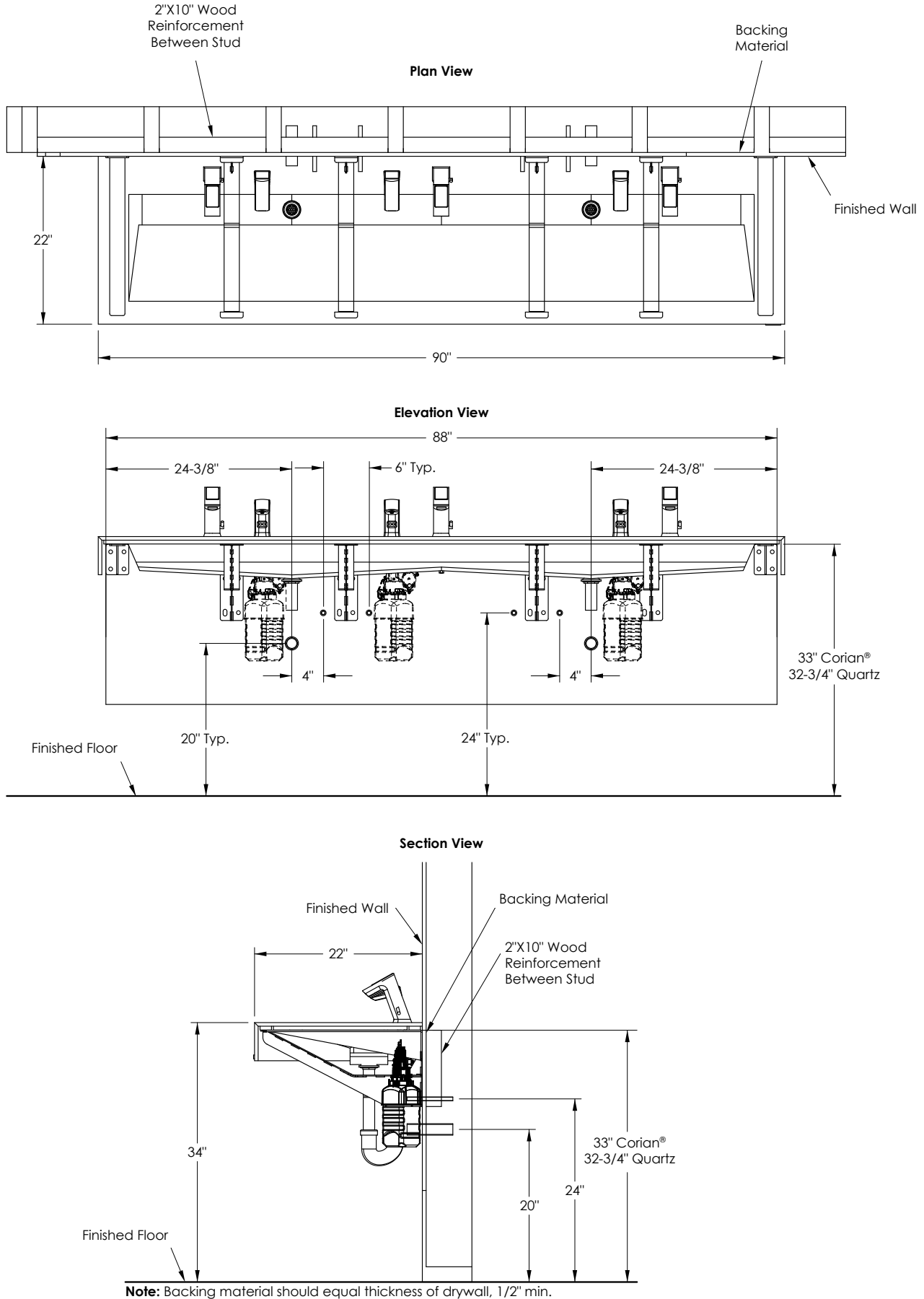
Note:
Faucet and Soap dispenser models shown for reference, actual units will depend on what was selected at order entry.

DSG-83000, Three Station Component List

Description	Item Number	Quantity
Designer Series Gradient, Three Station, Deck	1	1
Side Bracket (Mounting Option)	2	2
Middle Bracket (Mounting Option, not required for single station)	3	4
Angled Enclosure with Hold Open Door (Mounting Option)	4A	1
Vertical Enclosure with Hold Open Door (Mounting Option)	4B	1
EFX Series Faucet	5	3
Basys Style ESD 500 Soap Dispenser Note: If ESD-500 Selected – Area under the sink must be clear for proper installation access and soap bottle change (no outlets, stops, etc).	6	3
Grid Strainer	7	2

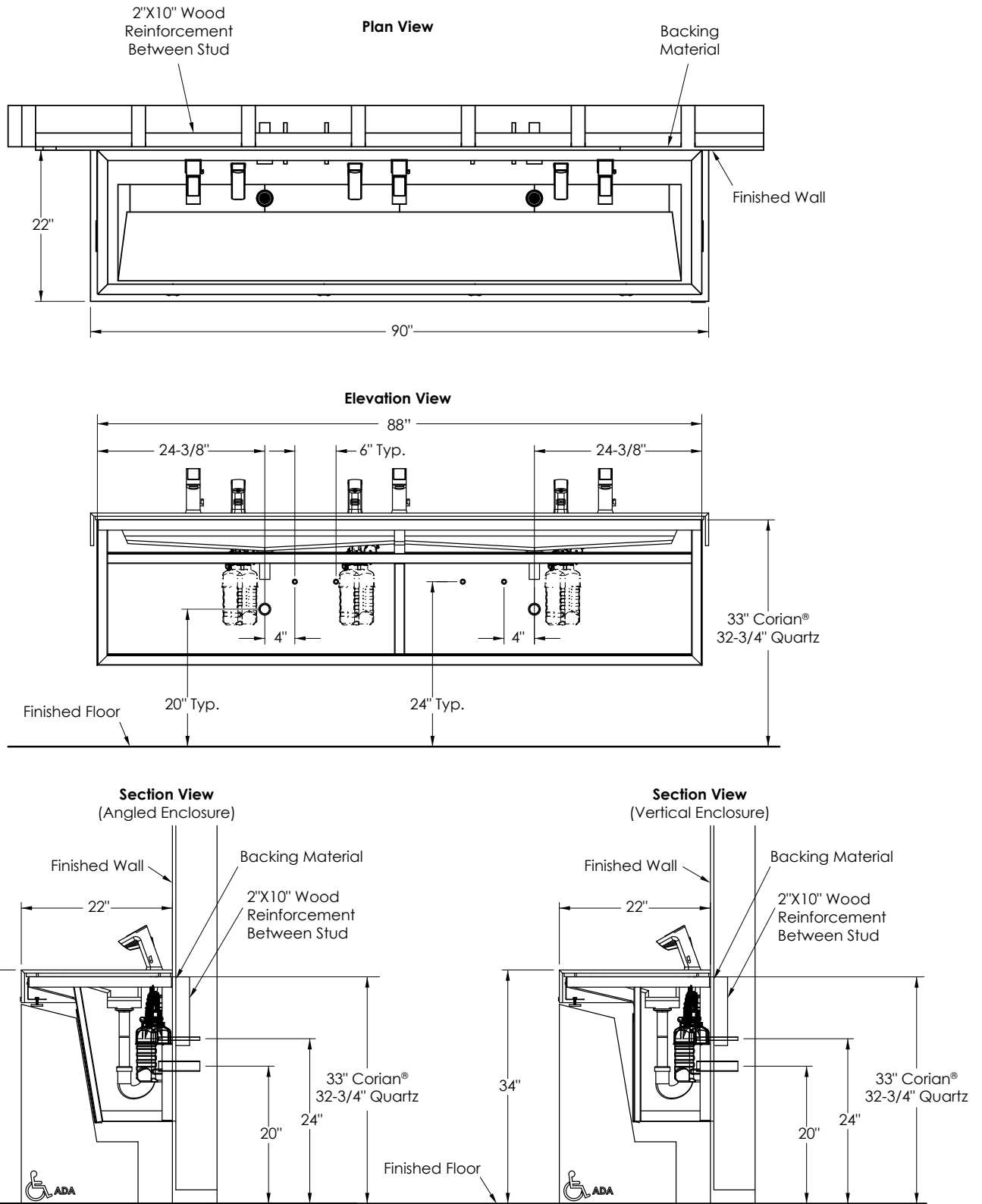
Rough-In (Three Station); Bracket Mounting Option

Figure 15



Rough-In (Three Station); Enclosure Mounting Option

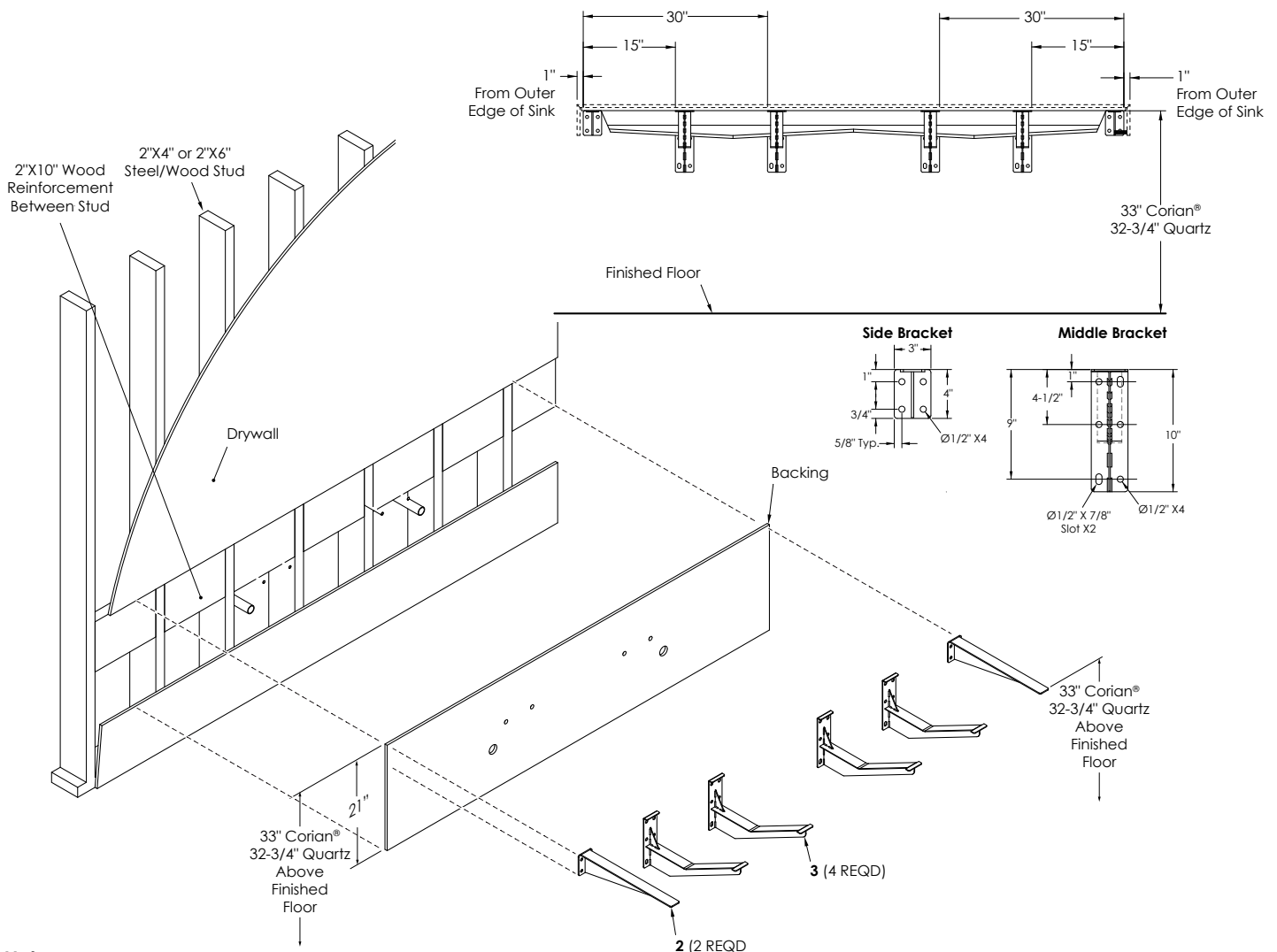
Figure 16



Note: Backing material should equal thickness of drywall, 1/2" min.

Backing and Bracket Installation (Three Station)

Figure 17



Notes:

- Due to manufacturer tolerances, all dimensions are for reference only.
- Bracket must be shimmed to wall to make sure proper leveling and straightness.
- Wood 2"X10" may need to be notched to allow clearance for electrical box and plumbing. DO NOT cut wall support studs.

1. Install Backing (Figure 17) onto wall studs.

Note: Backing supplied by others to meet local codes.

- If drywall is present, refer to rough-in, Figure 15, and cut out drywall window to the outer dimension of the side brackets at 10" high, 33" Corian®, 32 3/4" Quartz, above finished floor.
- Remove drywall window.
- Pre-drill/cut holes for plumbing and electrical as required.
- Install backing into cutout drywall window.

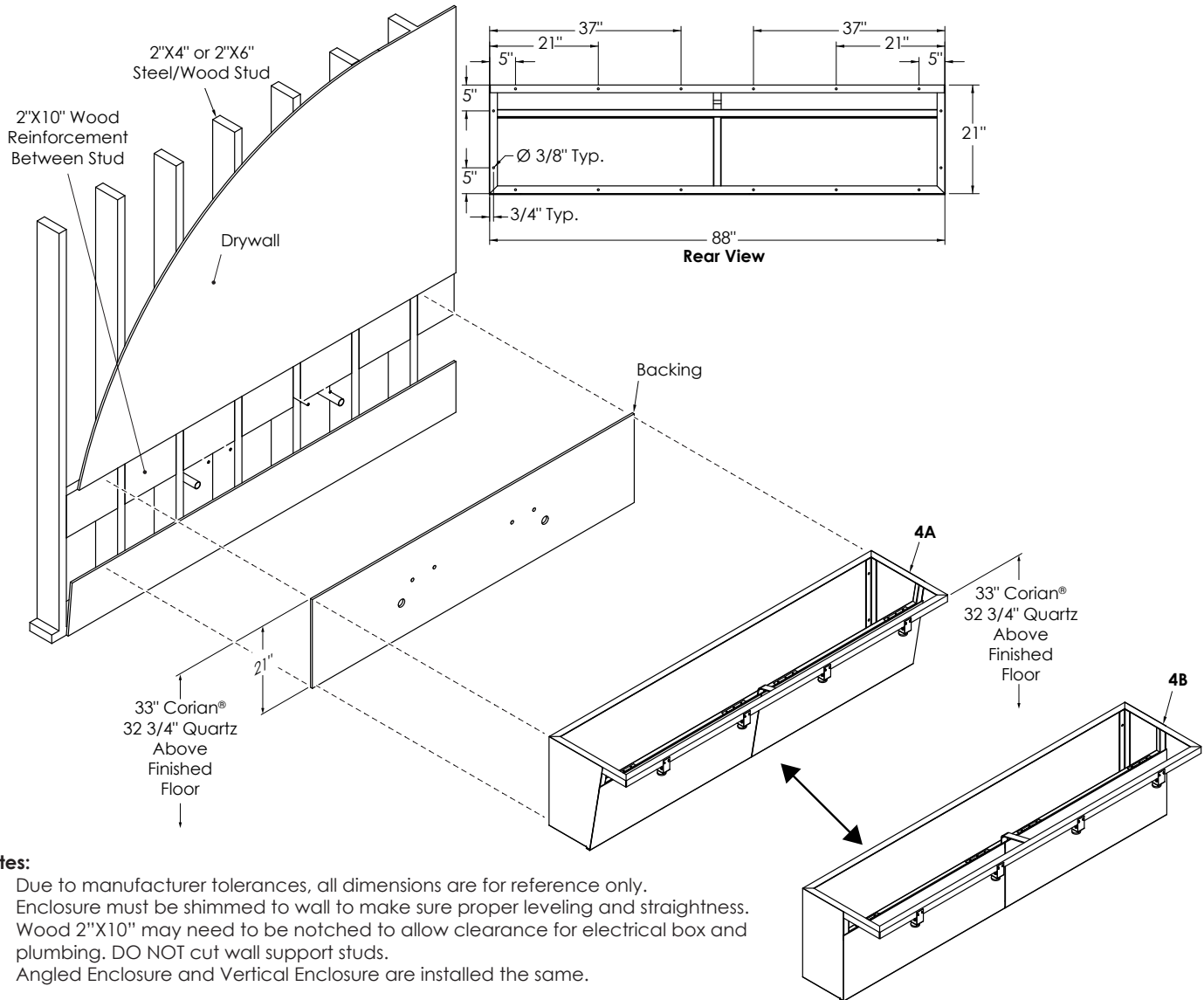
2. Mount the Side Brackets (2, Figure 17) and Middle Brackets (3) to the backing. Make sure that Side Brackets (2) and Middle Brackets (3) are level and the proper distance from the floor.

Note: Anchor side brackets to wall using 1,000 lb pull out mounting fasteners for 3/8" holes (not supplied).

- Using mounting fasteners (Not supplied) secure Side Brackets (2) and Middle Brackets (3) onto backing, make sure that the top of Side Brackets (2) and Middle Brackets (3) are 33 inches (Corian®, 32 3/4" (Quartz), above finished floor. (ADA specifications)

Backing and Enclosure Installation (Three Station)

Figure 18



Notes:

- Due to manufacturer tolerances, all dimensions are for reference only.
- Enclosure must be shimmed to wall to make sure proper leveling and straightness.
- Wood 2\"/>
- Angled Enclosure and Vertical Enclosure are installed the same.

3. Install Backing (Figure 18) onto wall studs.

Note: Backing supplied by others to meet local codes.

- If drywall is present, refer to rough-in, Figure 16, measure outer dimensions of Enclosure (4A / 4B) and cut out drywall window.
- Remove drywall window.
- Pre-drill/cut holes for plumbing and electrical.
- Install backing into cutout drywall window.

4. Refer to the template in (Figure 18), mount the Enclosure (4A / 4B) to the backing. Ensure that Enclosure (4A / 4B) is level and the proper distance from the floor.

Note: Anchor enclosure to wall using 1,000 lb pull out mounting fasteners for 3/8\"/>

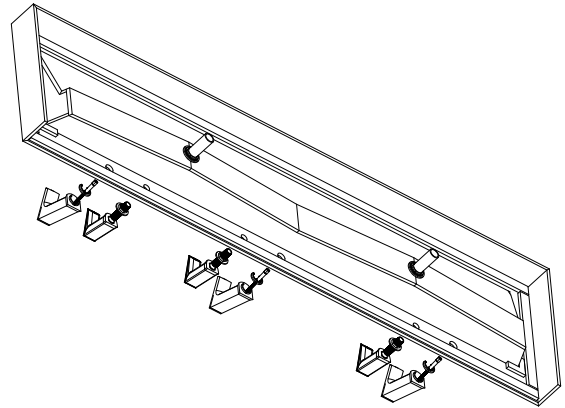
- Using mounting fasteners secure Enclosure (4A / 4B) onto backing, making sure that the top of Enclosure (2) is 33 inches (Corian®), 32 3/4 inches (Quartz) above finished floor. (ADA specifications)

Faucet and Soap Installation (Three Station)

Notes:

- For ease of deck installation, leave the deck lying on its front (if no bag hooks are installed) or lying on its back and install component spouts.
- Components shown for reference only.
- Install Faucet, Soap Dispenser spouts and grid strainer.

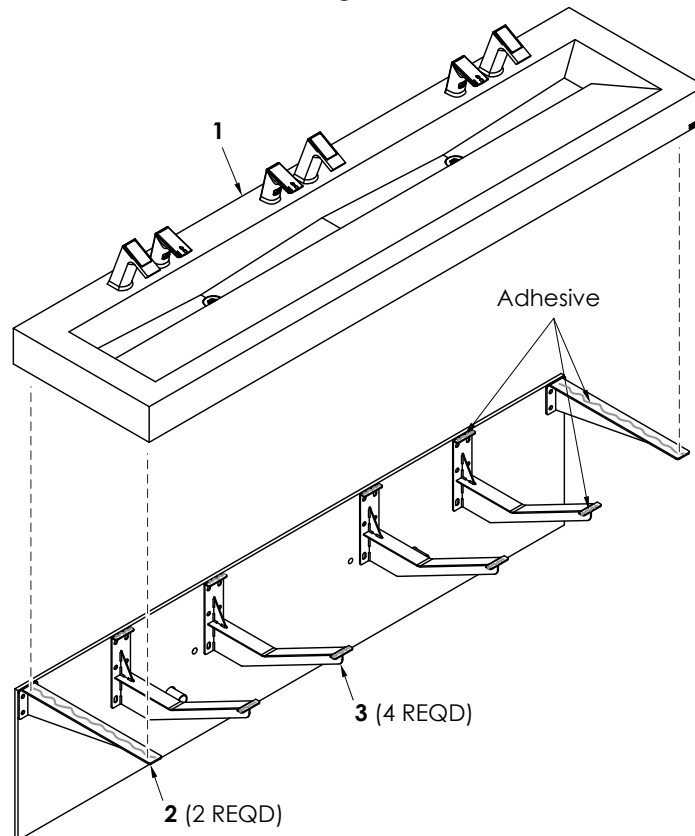
Figure 19



5. Install Faucet and Soap spouts, (Figure 19) onto sink according to manufacturer's instructions provided with component.

Sink Installation (Three Station); Bracket

Figure 20

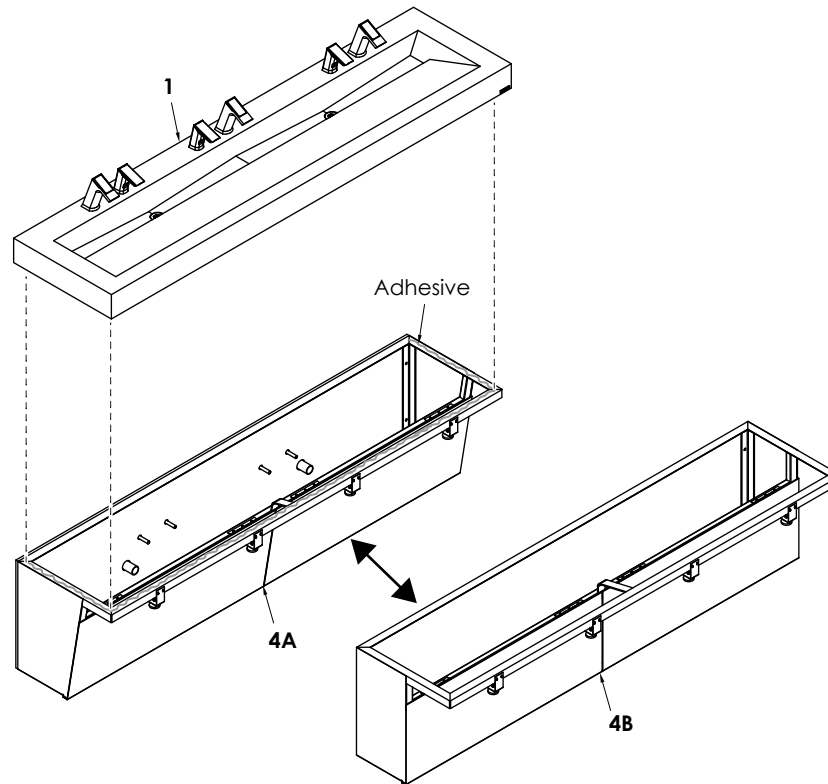


6. Install Deck (1, Figure 20) onto Side Brackets (2) and Middle Brackets (3).

Note: Back of Deck (1) may require scribing to finished wall.

- a. Apply adhesive (not supplied) to the top of Side Brackets (2) and Middle Brackets (3).
- b. Lower Deck (1) onto Side Brackets (2) and Middle Bracket (3). Shim all gaps between Side Brackets (2), Middle Brackets (3) and Deck (1).
- c. Install all water connections and drain lines.
- d. Remove any and all protective tape and/or wrap. Close access panel on Enclosure(4A / 4B).

Figure 21



7. Install Deck (1, Figure 21) onto Enclosure (4A / 4B).

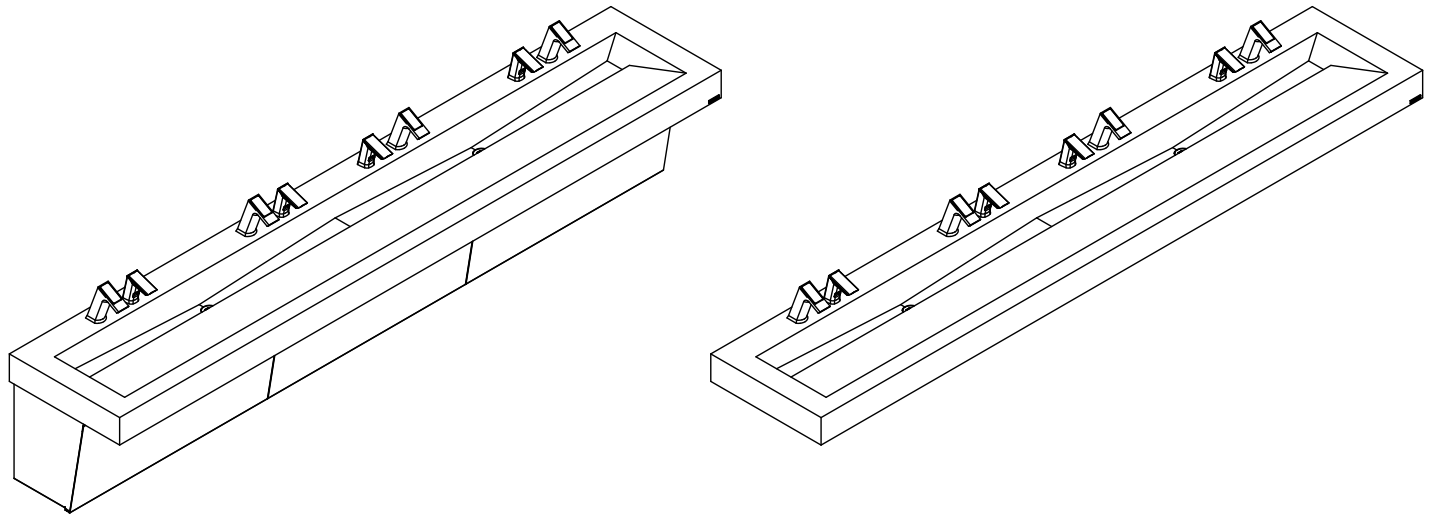
Note: Back of Deck (1) may require scribing to finished wall.

- a. Apply adhesive (not supplied) to the top of Enclosure (4A / 4B).
- b. Lower Deck (1) onto Enclosure (4A / 4B). Shim all gaps between Enclosure (4A / 4B) and Deck (1).
- c. Install all water connections and drain lines.
- d. Remove any and all protective tape and/or wrap. Close access panel on Enclosure (4A / 4B).

End of DSG-83000 Installation Instructions

DSG-84000

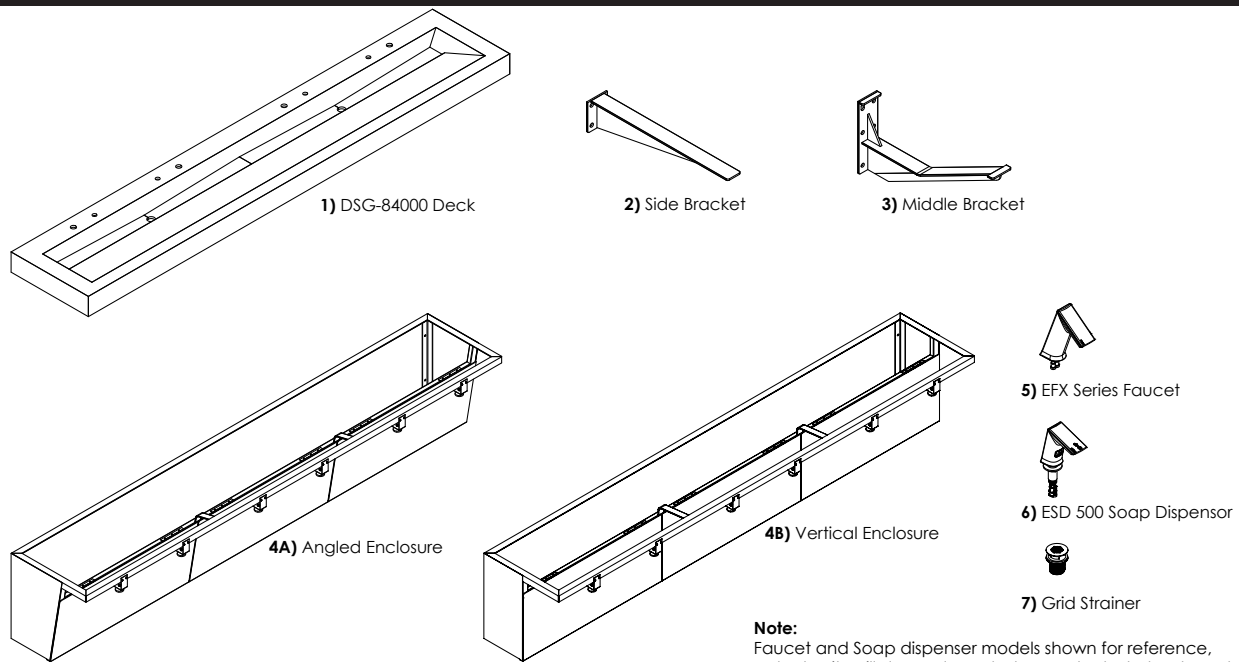
Four Station Corian® or Quartz Lavatory Systems



Sink Location

Determine the appropriate wall location for the Lavatory System. Refer to original spec sheets for correct placement of electrical and plumbing locations. If wall is not load bearing, a carrier may be required behind the wall. Refer to the appropriate Rough-In diagram for Lavatory System dimensions. Prior to Lavatory System installation, electric wiring, water supply and drain must be installed.

DSG-84000, Four Station Components

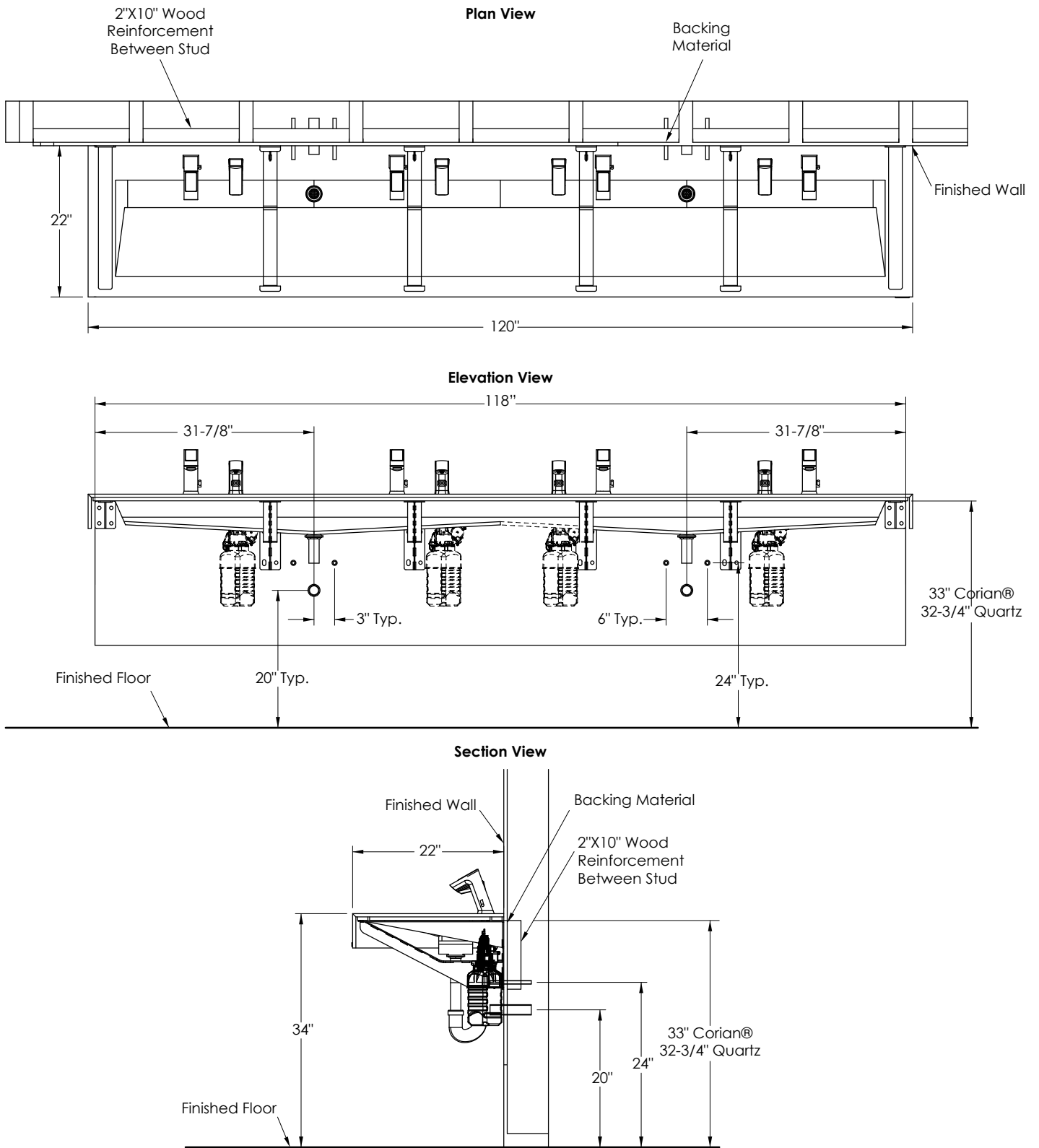


DSG-84000, Four Station Component List

Description	Item Number	Quantity
Designer Series Gradient, Four Station, Deck	1	1
Side Bracket (Mounting Option)	2	2
Middle Bracket (Mounting Option, not required for single station)	3	4
Angled Enclosure with Hold Open Door (Mounting Option)	4A	1
Vertical Enclosure with Hold Open Door (Mounting Option)	4B	1
EFX Series Faucet	5	4
Basys Style ESD 500 Soap Dispenser Note: If ESD-500 Selected – Area under the sink must be clear for proper installation access and soap bottle change (no outlets, stops, etc).	6	4
Grid Strainer	7	2

Rough-In (Four Station); Bracket Mounting Option

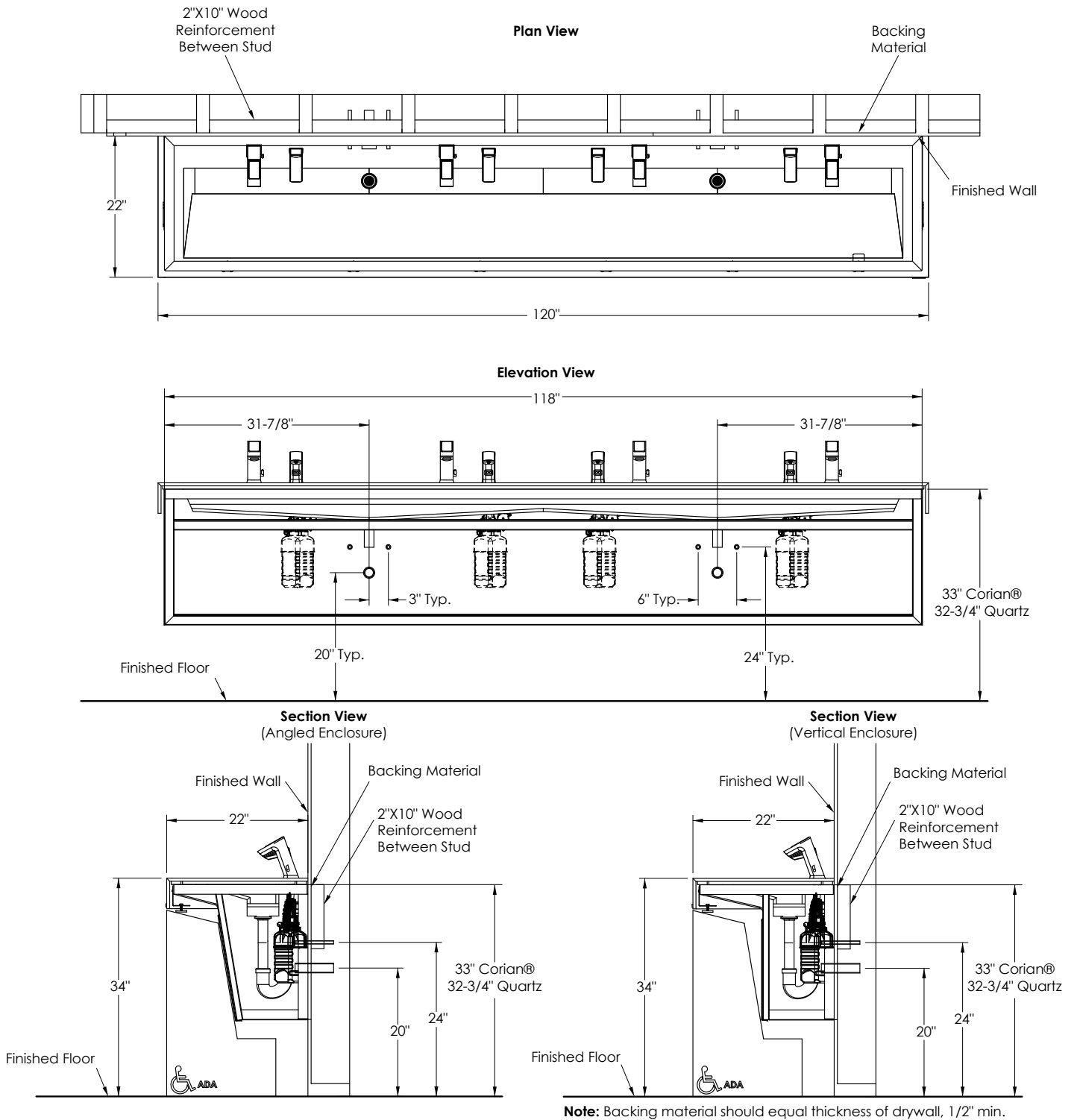
Figure 22



Note: Backing material should equal thickness of drywall, 1/2" min.

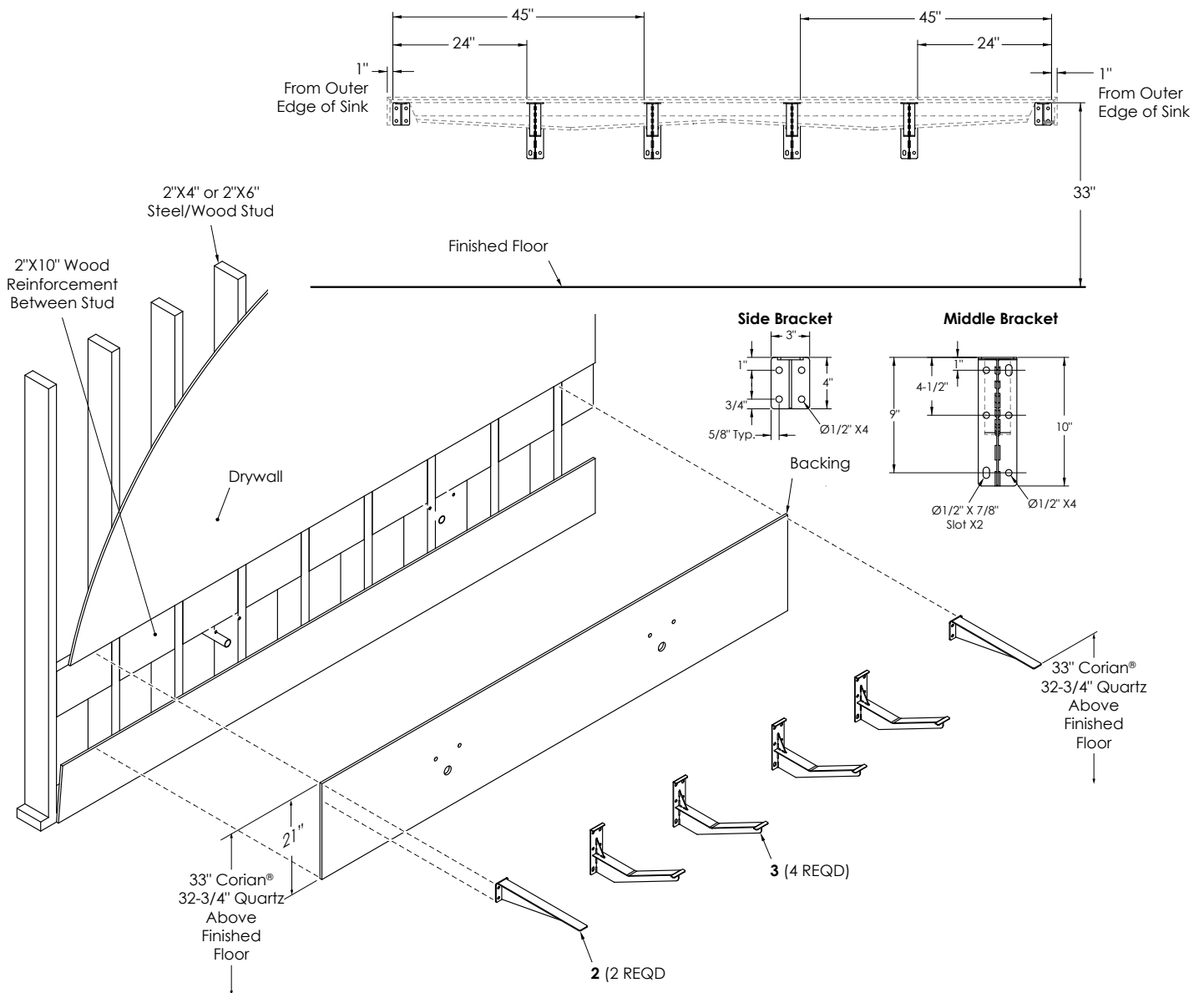
Rough-In (Four Station); Enclosure Mounting Option

Figure 23



Backing and Bracket Installation (Four Station)

Figure 24



Notes:

- Due to manufacturer tolerances, all dimensions are for reference only.
- Bracket must be shimmed to wall to make sure proper leveling and straightness.
- Wood 2"x10" may need to be notched to allow clearance for electrical box and plumbing. DO NOT cut wall support studs.

1. Install Backing (Figure 24) onto wall studs.

Note: Backing supplied by others to meet local codes.

- If drywall is present, refer to rough-in, Figure 15, and cut out drywall window to the outer dimension of the side brackets at 10" high, 33" Corian®, 32 3/4" Quartz, above finished floor.
- Remove drywall window.
- Pre-drill/cut holes for plumbing and electrical as required.
- Install backing into cutout drywall window.

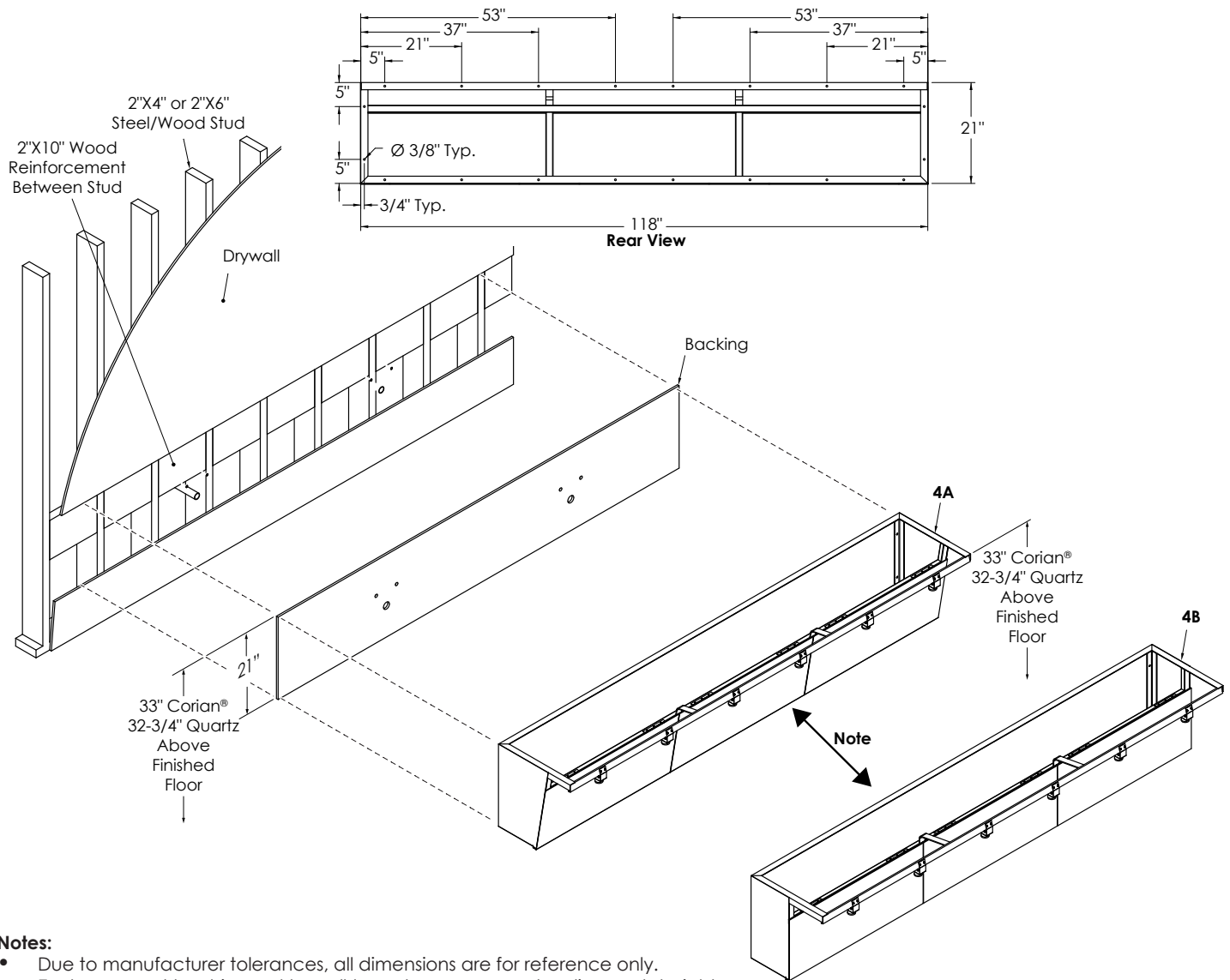
2. Mount the Side Brackets (2, Figure 22) and Middle Brackets (3) to the backing. Ensure that Side Brackets (2) and Middle Brackets (3) are level and the proper distance from the floor.

Note: Anchor side brackets to wall using 1,000 lb pull out mounting fasteners for 3/8" holes (not supplied).

- Using mounting fasteners (Not supplied) secure Side Brackets (2) and Middle Brackets (3) onto backing, make sure that the top of Side Brackets (2) and Middle Brackets (3) are 33 inches (Corian®), 32 3/4" (Quartz), above finished floor. (ADA specifications)

Backing and Enclosure Installation (Four Station)

Figure 25



Notes:

- Due to manufacturer tolerances, all dimensions are for reference only.
- Enclosure must be shimmed to wall to make sure proper leveling and straightness.
- Wood 2"x10" may need to be notched to allow clearance for electrical box and plumbing. DO NOT cut wall support studs.
- Angled Enclosure and Vertical Enclosure are installed the same.

3. Install Backing (Figure 25) onto wall studs.

Note: Backing supplied by others to meet local codes.

- If drywall is present, refer to rough-in, Figure 16, measure outer dimensions of Enclosure (4A / 4B) and cut out drywall window.
- Remove drywall window.
- Pre-drill/cut holes for plumbing and electrical.
- Install backing into cutout drywall window.

4. Refer to the template in (Figure 25), mount the Enclosure (4A / 4B) to the backing. Ensure that Enclosure (4A / 4B) is level and the proper distance from the floor.

Note: Anchor enclosure to wall using 1,000 lb pull out mounting fasteners for 3/8" holes (not supplied).

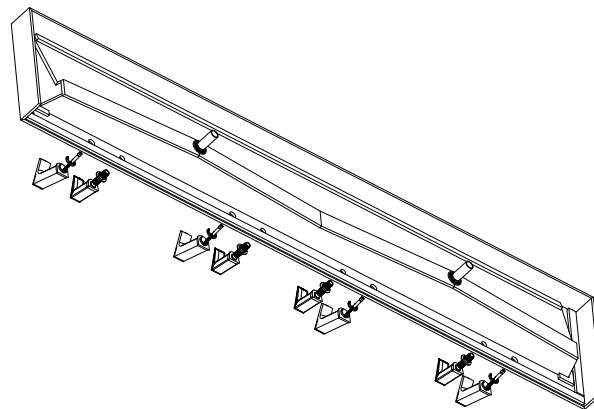
- Using mounting fasteners secure Enclosure (4A / 4B) onto backing, making sure that the top of Enclosure (2) is 33 inches (Corian®), 32 3/4 inches (Quartz) above finished floor. (ADA specifications)

Faucet and Soap Installation (Four Station)

Figure 26

Notes:

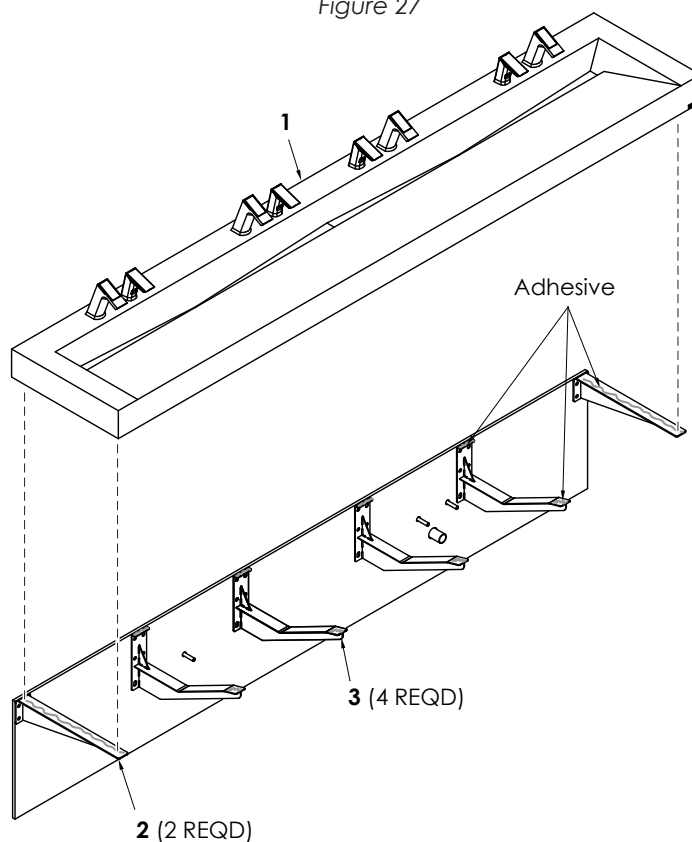
- For ease of deck installation, leave the deck lying on its front (if no bag hooks are installed) or lying on its back and install component spouts.
- Components shown for reference only.
- Install Faucet, Soap Dispenser spouts and grid strainer.



5. Install Faucet and Soap spouts, (Figure 26) onto sink according to manufacturer's instructions provided with component.

Sink Installation (Four Station); Bracket

Figure 27

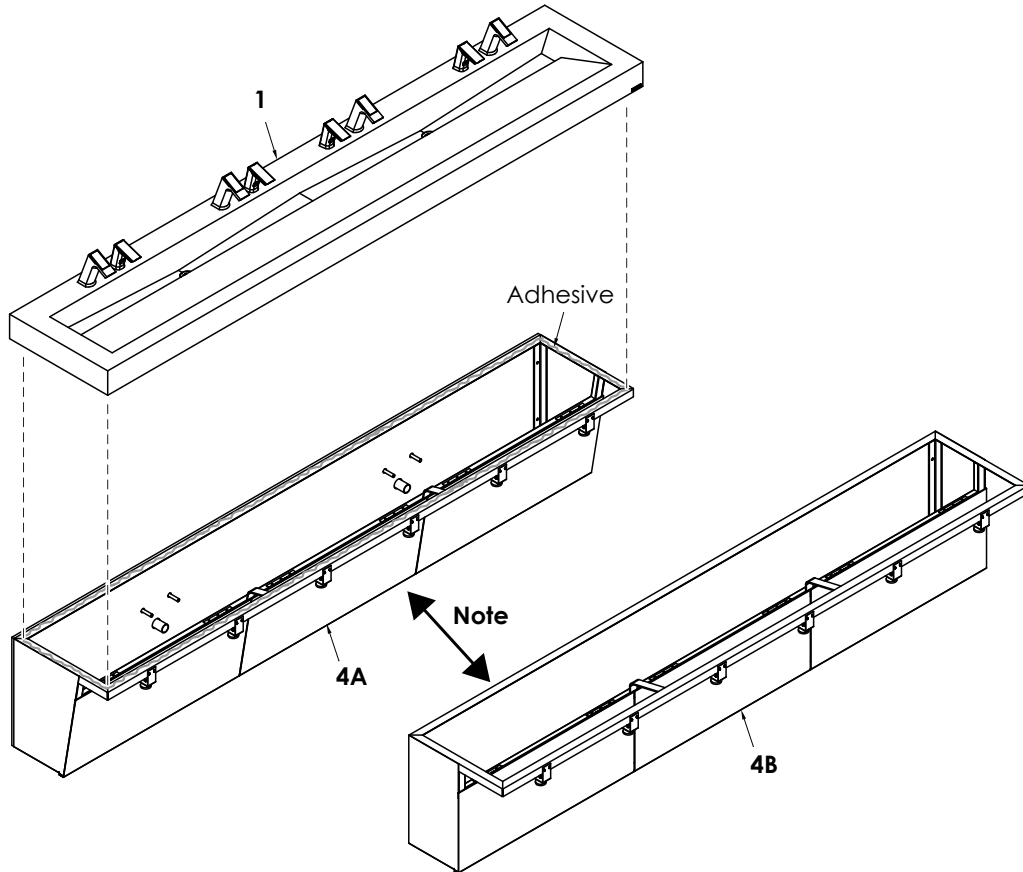


6. Install Deck (1, Figure 27) onto Side Brackets (2) and Middle Brackets (3).

Note: Back of Deck (1) may require scribing to finished wall.

- a. Apply adhesive (not supplied) to the top of Side Brackets (2) and Middle Brackets (3).
- b. Lower Deck (1) onto Side Brackets (2) and Middle Bracket (3). Shim all gaps between Side Brackets (2), Middle Brackets (3) and Deck (1).
- c. Install all water connections and drain lines.

Figure 28



Note: Angled Enclosure and Vertical Enclosure, sink installation is the same.

7. Install Deck (1, Figure 28) onto Enclosure (4A / 4B).

Note: Back of Deck (1) may require scribing to finished wall.

- a. Apply adhesive (not supplied) to the top of Enclosure (4A / 4B).
- b. Lower Deck (1) onto Enclosure (4A / 4B). Shim all gaps between Enclosure (4A / 4B) and Deck (1).
- c. Install all water connections and drain lines.
- d. Remove any and all protective tape and/or wrap. Close access panel on Enclosure (4A / 4B).

End of DSG-83000 Installation Instructions