

EL-750/EL-700 Hardwired Flushometers

EL-750/Hardwired
Dual-flush Side Mount

EL-700/Hardwired
Single-flush Side Mount

VAC Power Requirement: Transformer 6 VAC 0.5 mA per unit

Sloan Transformers:

EL-386 – 120 VAC/ 6 VAC Plug-in Transformers

EL-451 – 120 VAC/6 VAC 25 VA Box Style Transformers

NOTE: One (1) Hardwire Flushometer per each EL-386 Transformer and six (6) Hardwire Flushometers per each EL-451 Transformer

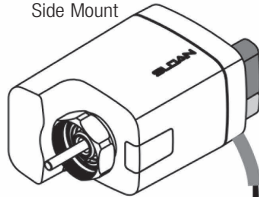


Hardwired, sensor-activated, retrofit unit for exposed, dual-flush and single-flush closet and single-flush urinal.

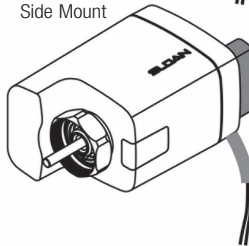
EBV-505-A
Dual-flush
Sleeve Assembly
(Supplied with Hex
Wrench)



EL-750
Dual-flush
Side Mount



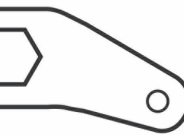
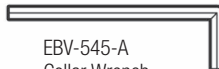
EL-700
Single-flush
Side Mount



EBV-570-A
Single-flush
Sleeve Assembly
(Supplied with Hex
Wrench)

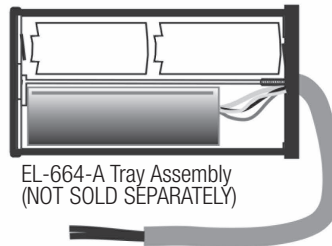
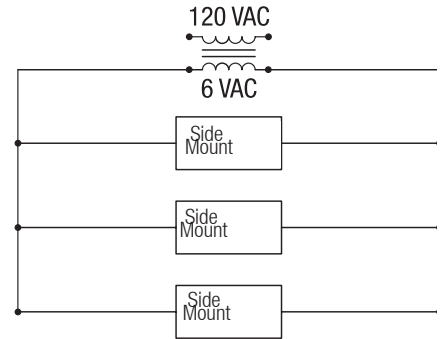


Battery Compartment
Hex Wrench 2.5 mm



WES-46 DFSM Wall Plate

Wiring Diagram



EL-612-A Wall Flange
Mounting Kit

EL-750/EL-700 Hardwired Flushometers

TROUBLESHOOTING GUIDE

1. RED LED continuously flashes when target is present.

Check voltage coming from transformer.

2. RED LED flashes 4 times after a target has been present for 8 seconds. RED LED flashes once when a target is NOT present.

Check voltage coming from transformer.

3. RED LED flashes continuously after calibration.

The unit has failed to calibrate. The optics window is obscured. Remove power, clean window and remove any objects (barrels, toolboxes, etc.) within close proximity of unit. Repeat power-up sequence (See TRANSFORMER START_UP ACTIVATION for power-up sequence). If unit fails, consult Sloan Technical Support.

CARE AND CLEANING OF CHROME AND SPECIAL FINISHES

DO NOT USE abrasive or chemical cleaners (including chlorine bleach) to clean side mount unit or flushometer that may dull the luster and attack the finish. Use **ONLY** mild soap and water, then wipe dry with clean cloth or towel.

While cleaning the bathroom tile, protect the side mount unit from any splattering of cleaner. Acids and cleaning fluids can discolor or remove chrome plating.

DO NOT USE abrasive or chemical cleaners (including chlorine bleach) to clean sensor window that may distort or ruin the sensor.

**When assistance is required, please contact
Sloan Technical Support at: 1-888-SLOAN-14 (1-888-756-2614).**

TRANSFORMER START-UP ACTIVATION

Turn on transformer power and wait for 10 seconds. Remove sticker from sensor window. The Side Mount unit will “wake up” when sticker is removed from sensor window. Please ensure this is the last step in the installation process and unless the target is a permanent fixture in the sensor’s environment (i.e. a wall or stall door) it must be removed from the view of the sensor. There is a three minute delay to calibration to allow the installer to clear from the view of the sensor. The Side Mount unit calibrates to the surrounding environment once sticker is removed (with three minute delay to allow installer to clear from the view of the sensor). Remove all non-permanent articles and step away from the sensor view until the one (1) flush activation verifies calibration is complete. The unit will exhibit an LED flash pattern as follows:

- GREEN and RED LED flash once, GREEN LED flashes 5 times
- 150 seconds of slow GREEN double flashes
- 10 seconds of fast GREEN double flashes
- 12-15 seconds of fast GREEN flashes (calibration)
- 3 slow GREEN LED flashes indicates calibration is done
- Normal Operation with one flush activation

After power off, re-power up will need three (3) minute delay to allow installer to clear from the view of the sensor.