

ESD-Series Foam Soap Dispensers



ESD-410



ESD-420



ESD-500



ESD-600



ESD-700



ESD-800



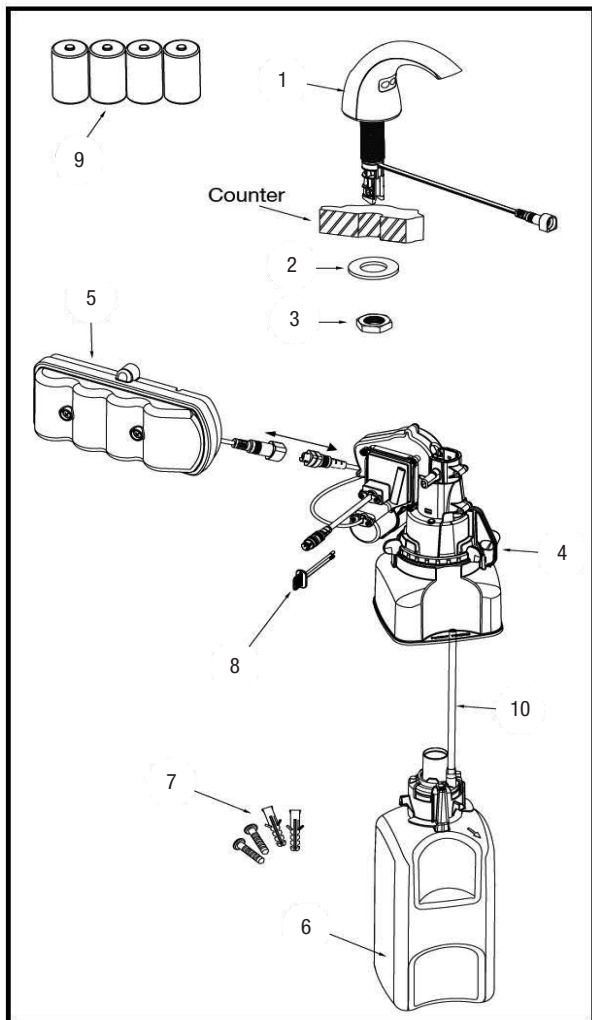
ESD-1500



ESD-2000



ESD-2100



ITEM	DESCRIPTION	QTY.
1.	DISPENSER ASSEMBLY (SEE SPOUT LIST BELOW)	1
2.	FLAT WASHER	1
3.	NUT	1
4.	MOTOR ASSEMBLY (BOTTLE SUPPORT)	1
5.	BATTERY BOX (USES 4 "D" CELL BATTERIES)	1
6.	SOAP BOTTLE (2 BOTTLES SHIP WITH DISPENSER/ADDITIONAL SOLD SEPARATELY)	1 BOX (2 BOTTLES)
7.	SCREWS & ANCHORS FOR BATTERY BOX MOUNTING	1
8.	RETAINING CLIP	1
9.	"D" CELL BATTERIES (PROVIDED)	4
10.	SOAP BOTTLE TUBE	1
NOT SHOWN	ESD-324 6 VDC PLUG-IN ADAPTER (100-240 VAC) (SOLD SEPARATELY)	

REPAIR PARTS (IN KIT FORM- TAKEN FROM ITEM NUMBERS ABOVE)

REPAIR PARTS AVAILABLE TO ORDER	DESCRIPTION	MATERIAL NUMBER
ESD-218	*ALTERNATE MOUNTING FLANGE NUT	*0346002
ESD-320	SOAP DISPENSING MOTOR (INCLUDES BATTERY BOX #5)	0346081
ESD-321	GREEN CERTIFIED FOAM SOAP REFILLS 1500 ML (2 PER BOX)	3346044
ESD-324	6 VDC PLUG-IN ADAPTER (100-240 VAC)	0346090)
ESD-340-A	STRAW ASM FOR SOAP BOTTLE	0346102

REPLACEMENT SPOUTS ONLY (INCLUDES NUT & WASHER)

ITEM	DESCRIPTION
1.	ESD-410
1.	ESD-420
1.	ESD-1502A CP SPOUT ASSEMBLY-EAF100/150 STYLE
1.	ESD-2002A CP SPOUT ASSEMBLY-EAF200/250/275 STYLE
1.	ESD-2102A CP SPOUT ASSEMBLY-SF-2100/2150 STYLE
1.	ESD-502A CP SPOUT ASSEMBLY BASYS STYLE
1.	ESD-602A CP SPOUT ASSEMBLY ETF-600/650 STYLE (610/615)
1.	ESD702A CP SPOUT ASSEMBLY EAF-700/750 STYLE
1.	EAF802A CP SPOUT ASSEMBLY ETF80/EBF-85